

Product Specification



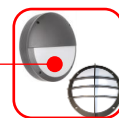
Outdoor Wall Light 20w Round Bunker



Product Features

- 10w/20w Watt Select
- 3 colour adjustable (3000K, 4000K, 5000K)
- Available in Black or White housing
- Available in Standard or Emergency fitting
- 120° Beam Angle
- Aluminium die cast housing
- Polycarbonate face
- Ø275 x 80mm
- IP65 Housing
- IK10 Impact Rating

Options:



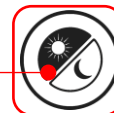
Eyelid or
Grille Cover



Emergency
Fitting



Microwave
Sensor



Dusk-to-dawn
sensor



Specification Overview



COLOUR SELECT



WATT SELECT



Vandal Resistance
IK10



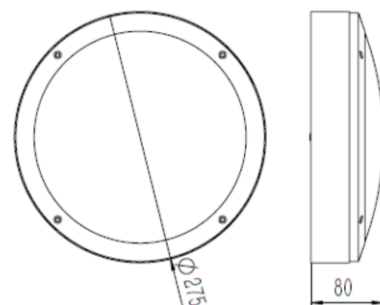
5027

Model	Power	Input	Colour Temp	Lumens	Beam Angle	Trim Colour	Dimensions
WL-BH20-3C-B	10w/20w	220~240VAC	3000K/4000K/5000K	1800~2000lm	120°	Black	Ø275x80mm
WL-BH20-3C-W	10w/20w	220~240VAC	3000K/4000K/5000K	1800~2000lm	120°	White	Ø275x80mm
WL-BH20-3C-B-E	10w/20w	220~240VAC	3000K/4000K/5000K	1513~1896lm	120°	Black	Ø275x80mm
WL-BH20-3C-W-E	10w/20w	220~240VAC	3000K/4000K/5000K	1513~1896lm	120°	White	Ø275x80mm

Outdoor Wall Light 20w Round Bunker

Model	Trim Colour	Power	Lumens	CCT	Dimension	Weight
WL-BH20-3C-B	Black	10w/20w	1513~1896lm	3000K/4000K/5000K	Ø275 x 80mm	1.25kg
WL-BH20-3C-W	White	10w/20w	1513~1896lm	3000K/4000K/5000K	Ø275 x 80mm	1.25kg

Specification				Dimensions	
CCT	3000K/4000K/5000K	Housing	Diecast aluminium		
Efficacy	>90lm/w	Diffuser	Polycarbonate		
CRI (%)	≥80	Housing Colour	Black or White options		
Beam Angle	120°	Lifespan	>40,000 hours		
Power Input	220~240VAC	Operation Temperature	-25 °C to +45°C		
Dimmable	No				
Impact Rating	IK10				
Protection Rating	IP65	Warranty	5 Years		



Options



Eyelid Cover

Model: WL-BH20-ELC-B
Model: WL-BH20-ELC-W
(B) Black (W) White



Grille Cover

Model: WL-BH20-GC-B
Model: WL-BH20-GC-W
(B) Black (W) White



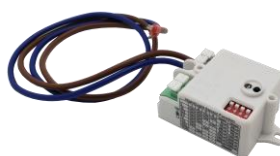
Emergency Fitting

Model: WL-BH20-3C-B-E
Model: WL-BH20-3C-W-E
(B) Black (W) White



Microwave Sensor

Add in sensor option
Model: WL-BH-MMS2

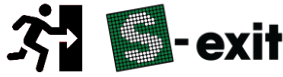


Photocell

Add in sensor option
Turns on at dusk and off and dawn
Model: WL-BH-PE

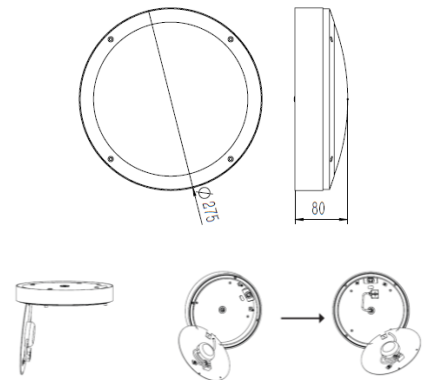
Specifications are subject to change without notice

Outdoor Wall Light 20w Emergency Round Bunker



Model	Trim Colour	Power	Lumens	CCT	Dimension	Weight
WL-BH20-3C-B-E	Black	10w/20w	1513~1896lm	3000K/4000K/5000K	Ø275 x 80mm	1.6kg
WL-BH20-3C-W-E	White	10w/20w	1513~1896lm	3000K/4000K/5000K	Ø275 x 80mm	1.6kg

Specification				Dimensions	
CCT	3000K/4000K/5000K	Housing	Diecast aluminium		
Efficacy	>90lm/w	Diffuser	Polycarbonate		
CRI (%)	≥80	Housing Colour	Black or White options		
Beam Angle	120°	Lifespan	>40,000 hours		
Power Input	220~240VAC	Operation Temperature	-25 °C to +45°C		
Dimmable	No	Emergency Power	2w		
Impact Rating	IK10	Emergency Run-Time	180 minutes		
Protection Rating	IP65	Battery	LifePO4 6.4v 1500mAH		
		Warranty	5 Years 3 Years Battery		



Options



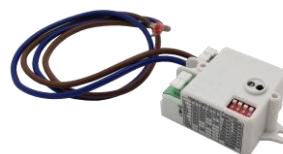
Eyelid Cover
Model: WL-BH20-ELC-B
Model: WL-BH20-ELC-W
(B) Black (W) White



Microwave Sensor
Add in sensor option
Model: WL-BH-MMS2



Grille Cover
Model: WL-BH20-GC-B
Model: WL-BH20-GC-W
(B) Black (W) White



Photocell
Add in sensor option
Turns on at dusk and off and dawn
Model: WL-BH-PE



Standard Fitting
Model: WL-BH20-3C-B
Model: WL-BH20-3C-W
(B) Black (W) White

Specifications are subject to change without notice