



LED IP65 LPAR38TC - 12W

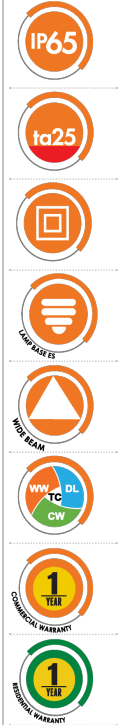
12 watt PAR38 LED, IP65, E27 lamp base, with selectable colour temperature

Application

Perfect for retail and residential spaces

Design Specifications

- Opal polycarbonate diffuser
- Poly covered aluminium body
- High efficiency SMD LED chips, beam 100 degree
- Integral non-dimmable LED driver, E27 lamp base
- Selectable colour temperature, 3000/4000/6000K, CRI >80
- Double insulation, designed for equivalent IP rated PAR floodlights, installed in under covered eave environments



Technical Specification

Model No.	Input Voltage (V/AC)	Power (W)	Lumens (lm)	CCT (K)	CRI	Beam Angle (°)
LPAR38TC	240	12	1500/1700/1500	3000/4000/6000	80	100

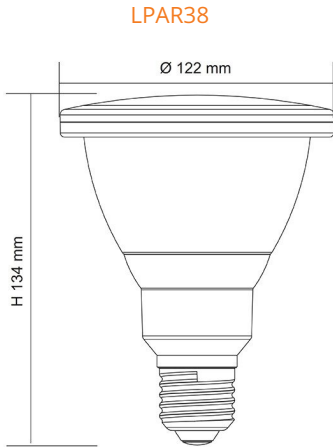
Model No.	Dimmable	Base Type
LPAR38TC	NO	E27

IMPORTANT, where CCT selection switching is provided, it is important to switch OFF the SUPPLY before the CCT selection is made, otherwise equipment damage may occur.

Due to continued product and technology enhancements, data sourced from sal.net.au shall not form part of any contract and or technical performance guarantee unless expressly confirmed in writing by SAL at the time of order. Products are sold in accordance with [SAL Terms and Conditions of sale](#) and all images shown are for illustration purposes only and may vary from the actual colour or finish. Unless specifically stated, all IP ratings nominated for Interior products are from "below the ceiling".



Dimensions



THE SFI SYSTEM ELIMINATES LED FLICKERING.

**SIMPLY
MATCH THE
UNIFIT SFI
DOWNLIGHT
WITH THIS
SDD400SFI
DIMMER.**



**DIM with
FLICKER
CONTROL**

For related
products
please
scan me

