



## TRADESTAR SE7169MP480NDL - 240/360/480W

A versatile and powerful LED floodlight with selectable power, IP66

### Application

Perfect for any large exterior space

### Design Specifications

- Integral, non-dimmable LED control gear, with selectable power 240/360/480W
- Robust black die-cast aluminium body profile with multi-function angled trunnion bracket
- Pre-wired with 1500mm UV rated flex for easy installation
- CRI >80, CCT 5000K
- A versatile 120° beam distribution as standard, optional beam distributions to order.
- Robust IK08 and IP66 protection, tempered glass visor



### Performance

- Dimmable - **NO**



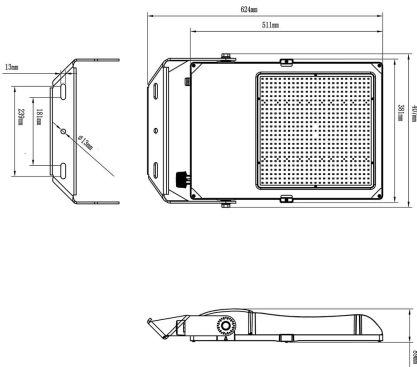
### Technical Specification

Product	Model No.	Input Voltage (V/AC)	Multiple Wattage	Lumens (lm)	CCT (K)	CRI
	SE7169MP480NDL	240	240/360/480	38000/55000/72000	5000	80
	SE7169/480P/PMA60					
	SE7169/480P/PMA76					
	SE7169/480P/PCB150					

Beam Angle (°)	Body Colour	Dim (mm)	Mass (kg)
120	BLACK BLACK BLACK BLACK	407(L) x 89(W) x 624(H)	12.5

Due to continued product and technology enhancements, data sourced from sal.net.au shall not form part of any contract and or technical performance guarantee unless expressly confirmed in writing by SAL at the time of order. Products are sold in accordance with SAL Terms and Conditions of sale and all images shown are for illustration purposes only and may vary from the actual colour or finish. Unless specifically stated, all IP ratings nominated for Interior products are from "below the ceiling".

## Dimensions



## Photometric Data

### LUMINOUS INTENSITY DISTRIBUTION DIAGRAM

