



UNITREK STR9017/30TC/DP - 21/30W

Unitrek single circuit, 21/30 watt architectural track spot, with integral dual power driver and selectable CCT

Application

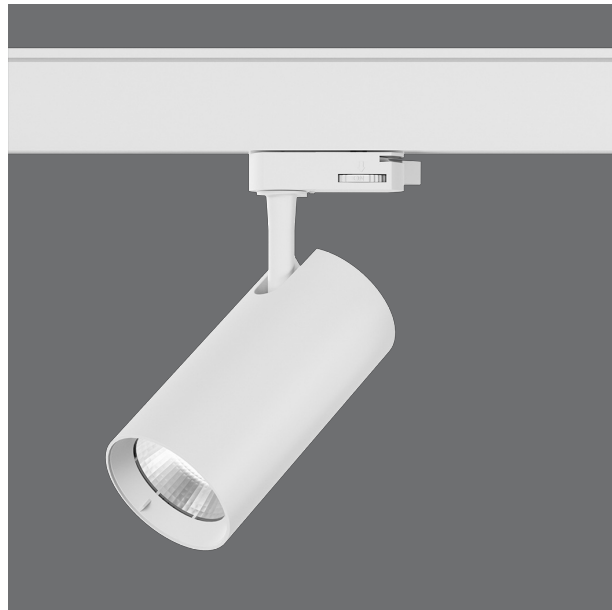
Ideal for decorative retail or interior residential spaces

Design Specifications

- Durable Polyamide body profile, colour white or black
- High output LED optics, CRI >80, selectable CCT 3000K / 4000K / 5700K
- Polycarbonate lens, 40° beam distribution
- 21/30 watt integral non-dimmable LED driver
- Optional black or white baffle available

Performance

- Dimmable - **NO**



Technical Specification

Product	Model No.	Input Voltage (V/AC)	Multiple Wattage	Lumens (lm)	CCT (K)	Body Colour
	STR9017/30TC/DP/WH	240	21/30	2100/2400/2200	3000/4000/5700	WHITE
	STR9017/30TC/DP/BK	240	21/30	2100/2400/2200	3000/4000/5700	BLACK
	STR9017/30RING/BK					BLACK RING INSERT
	STR9017/30RING/WH					WHITE RING INSERT
	STR9017/30R60P					60 DEG BEAM INSERT

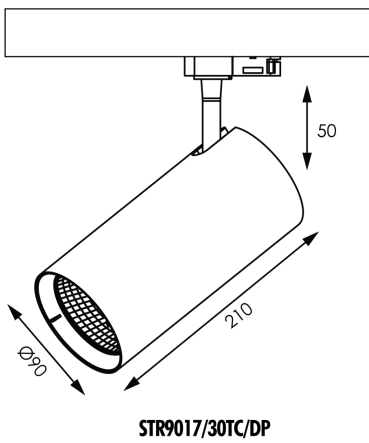
CRI	Beam Angle (°)	Dim (mm)
80	40	90(W) x 210(H)
80	40	90(W) x 210(H)
	40	
	40	
	60	

NOTE: Lumens (lm) are shown at maximum power setting

NOTE: tracklight systems are designed for horizontal ceiling mount, with the track opening parallel to the floor, for non-raked ceiling installations

Due to continued product and technology enhancements, data sourced from sal.net.au shall not form part of any contract and or technical performance guarantee unless expressly confirmed in writing by SAL at the time of order. Products are sold in accordance with [SAL Terms and Conditions of sale](#) and all images shown are for illustration purposes only and may vary from the actual colour or finish. Unless specifically stated, all IP ratings nominated for Interior products are from "below the ceiling".

Dimensions



Photometric Data

Unit: cd C0/C180 — C90/C270 —

STR9017/30W/WW at 3000K

