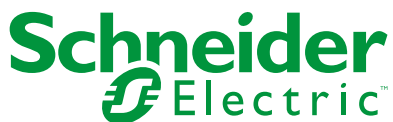


en



**PLEASE NOTE**

- The installation, use, repair and maintenance of the electrical equipment must be carried out by qualified personnel only.
- All applicable local, regional and national regulations must be complied with during the installation, use, maintenance and replacement of this product.
- This product should not be installed if, when unpacking it, you observe that it is damaged.
- Schneider Electric cannot be held responsible in the event of non-compliance with the instructions in this document and in the documents to which it refers.
- The service instruction must be observed throughout the product life time.

**⚠ ⚠ DANGER**

**HAZARD OF ELECTRIC SHOCK, EXPLOSION, OR ARC FLASH**

- Turn off all power supply to this product before working on it.
- Use a voltage tester with a suitable rated voltage in order to check that all active conductors aren't energized.
- Carefully inspect the work area to check that no tools or objects could have been left inside the equipment.

**Failure to follow these instructions will result in death or serious injury.**

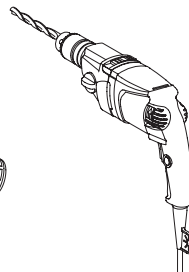
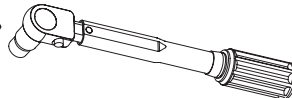
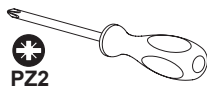
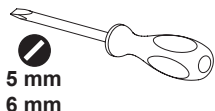
**⚠ WARNING**

**HAZARD OF FALLING OR HANDLING THE PRODUCT**

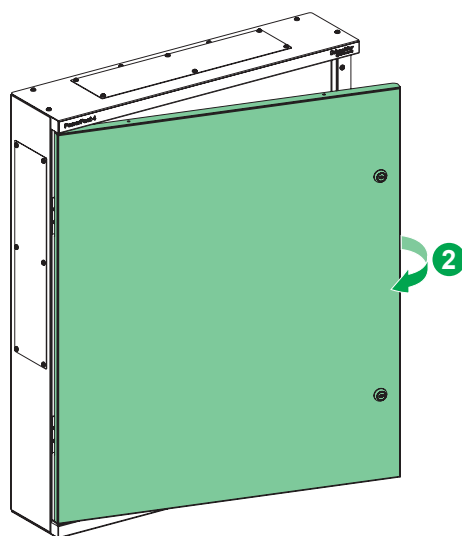
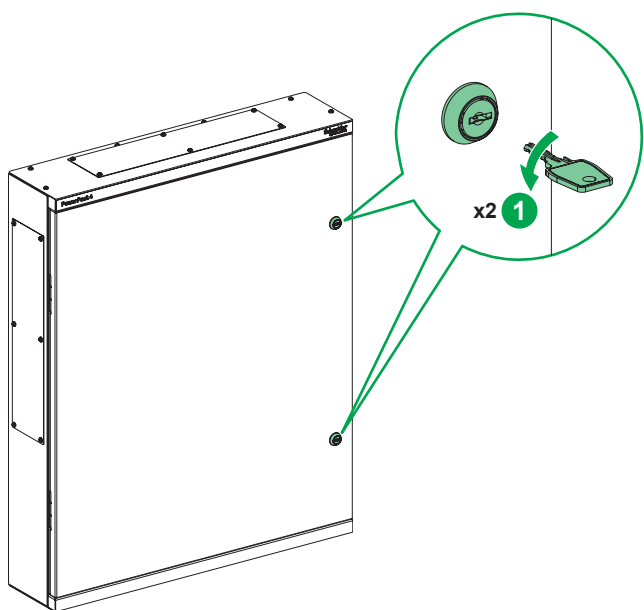
The large enclosures should be moved/lifted by a minimum of two people to avoid damage to the equipment.

**Failure to follow these instructions will result in death or serious injury.**

**i**

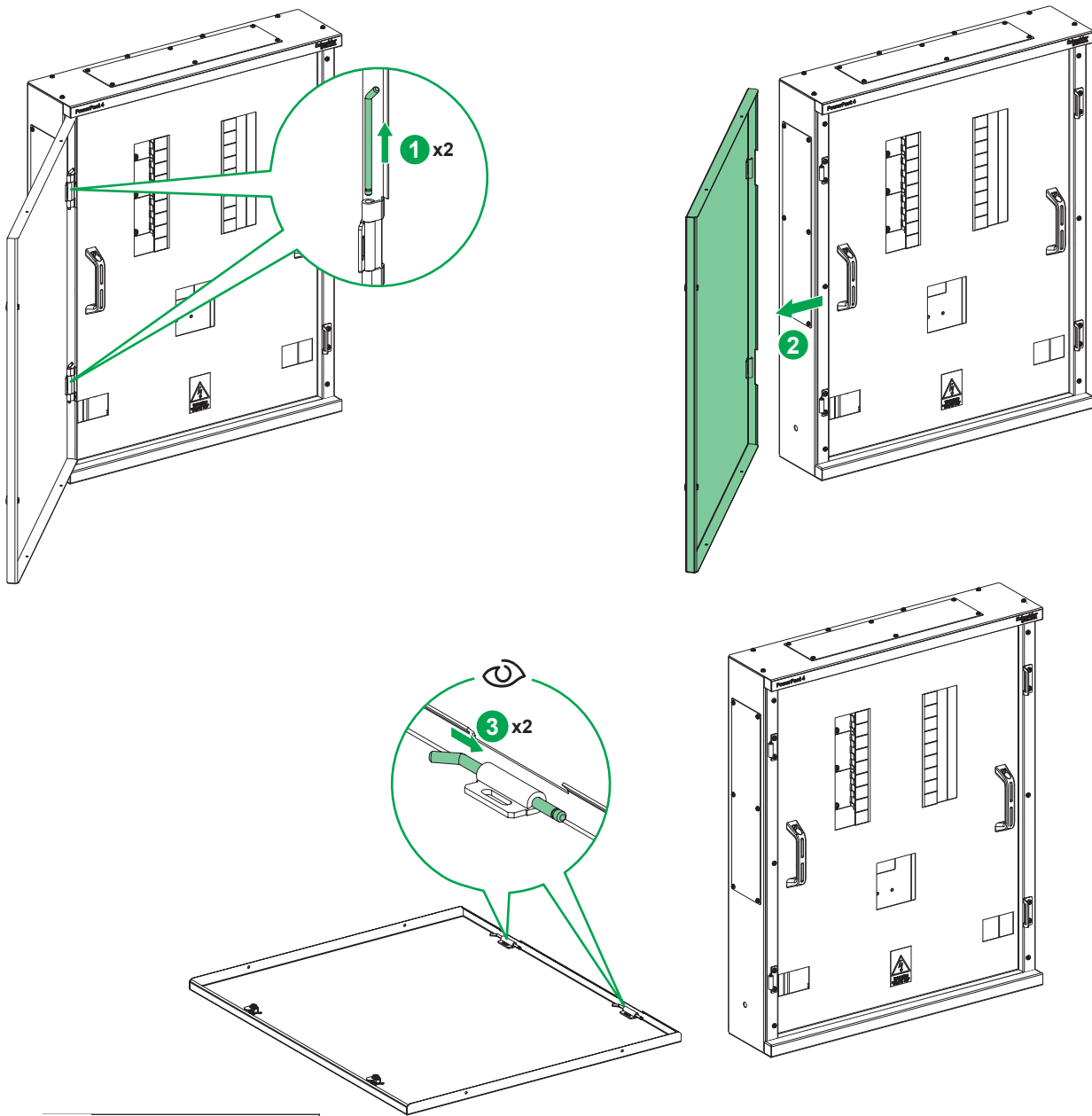


**1 Door Opening**



# 2

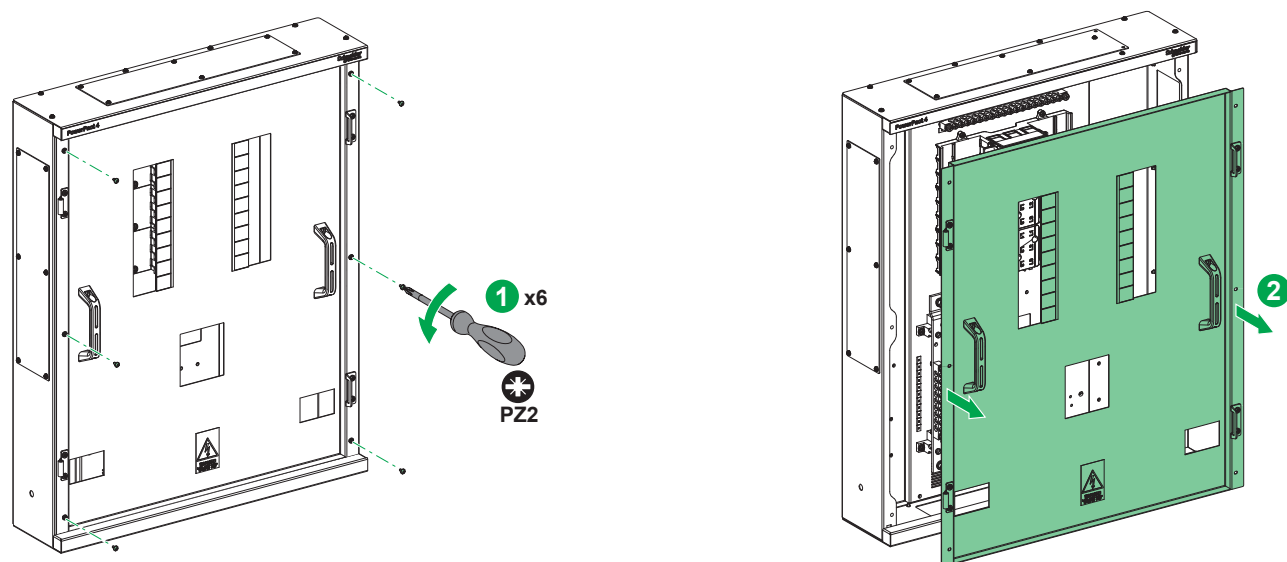
## Door Removal



**i** Keep the door in a safe place

# 3

## Front Cover Removal

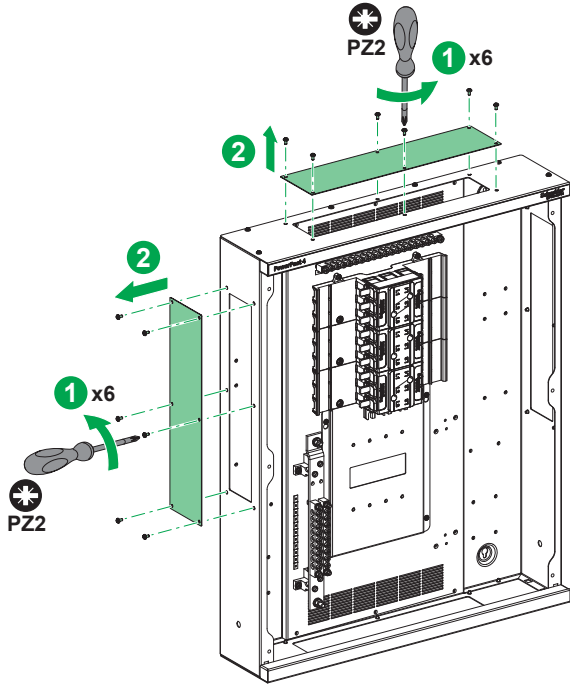


# 4

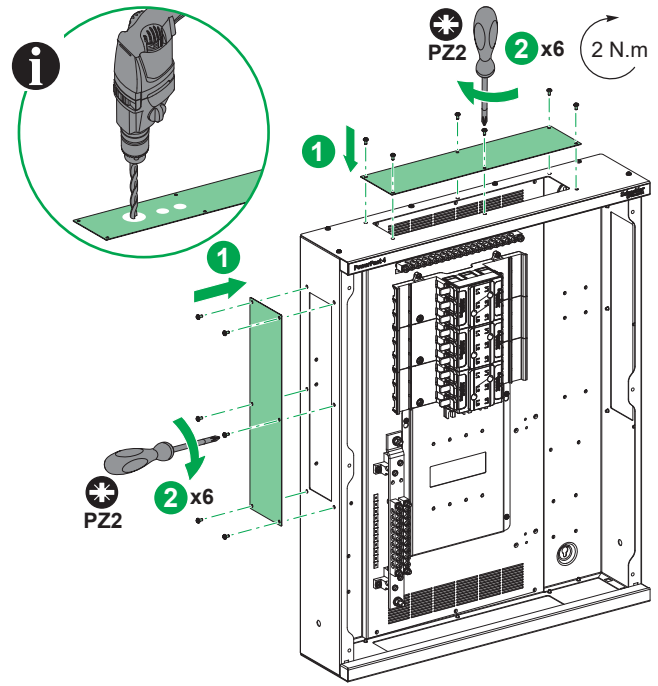
## Gland Plate Removal / Installation for Drilling Purpose

**i** For incomer top feed installation, see chapter 13.

### 4.1 Removal



### 4.2 Installation

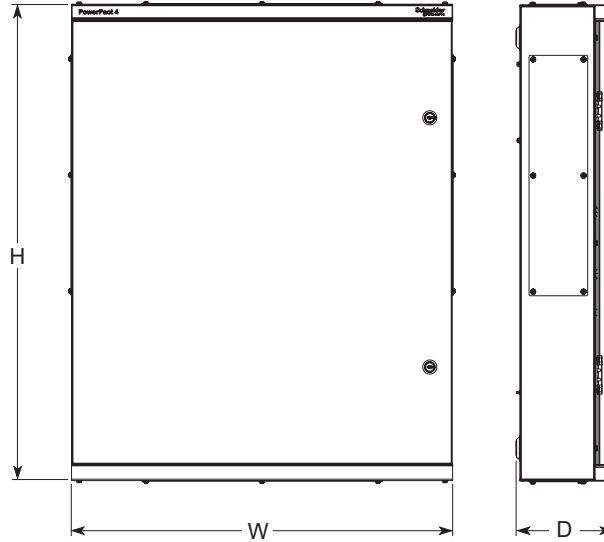


# 5

## Wall Installation

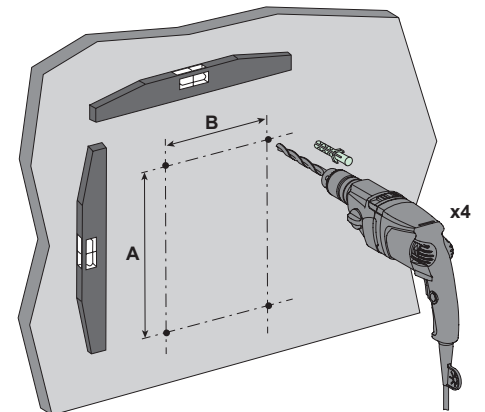
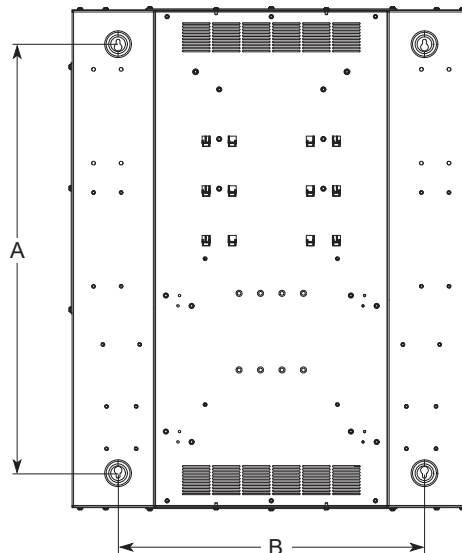
Overall product dimension (mm)

Reference	H	W	D
PP4NB26SM	813	650	168
PP4NB28SM	894	650	168
PP4NB212SM	1056	650	168



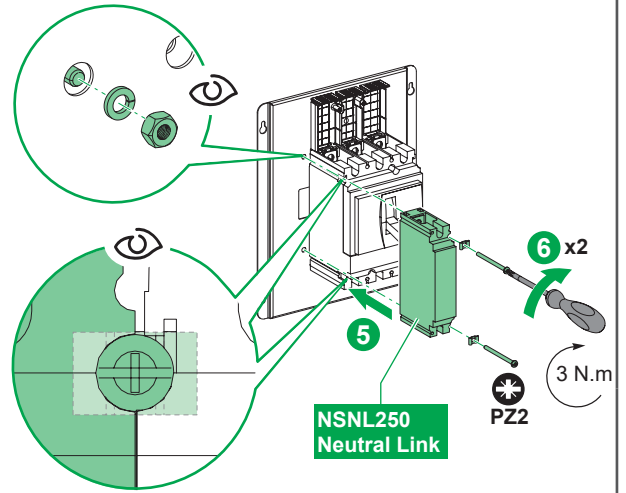
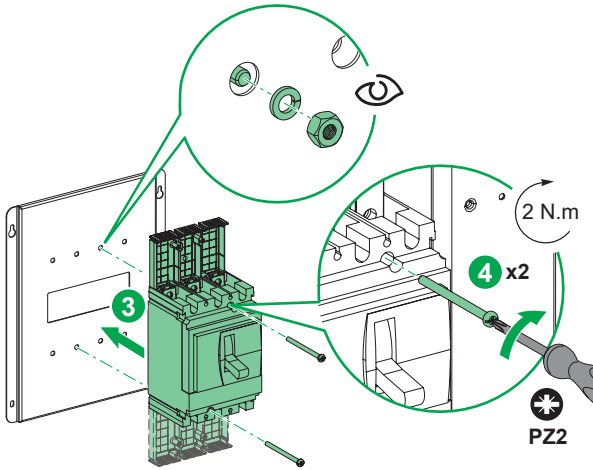
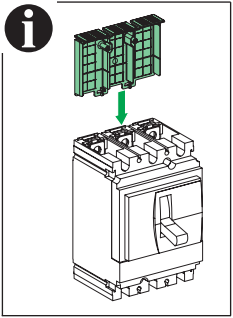
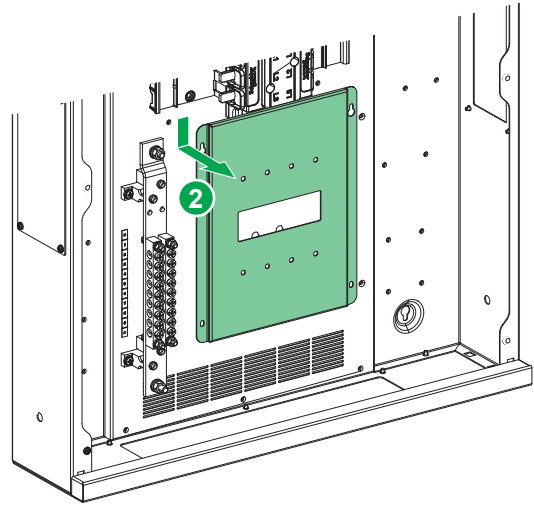
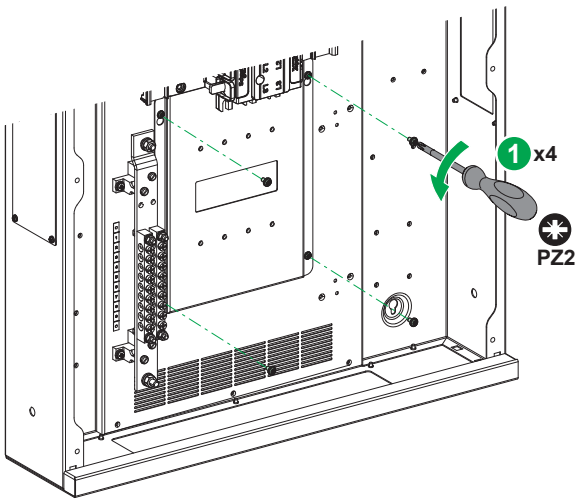
Drilling dimension (mm)

Reference	A	B
PP4NB26SM	710	500
PP4NB28SM	791	500
PP4NB212SM	953	500

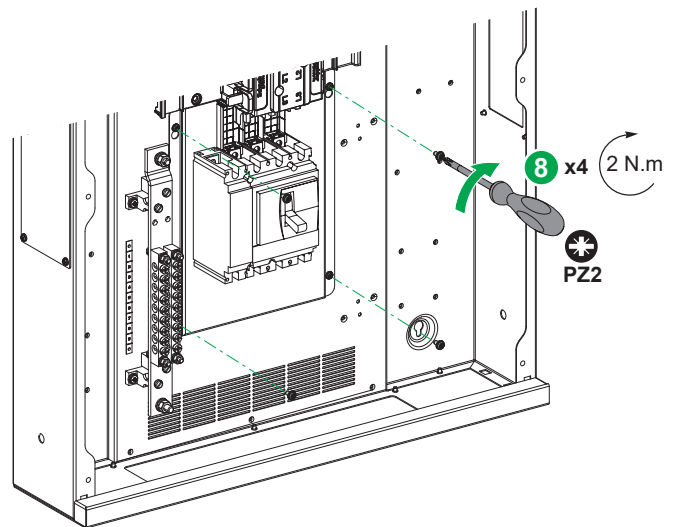
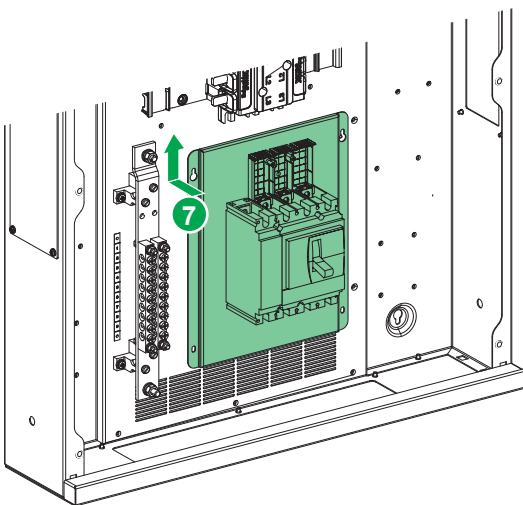


# 6

## Incomer Installation



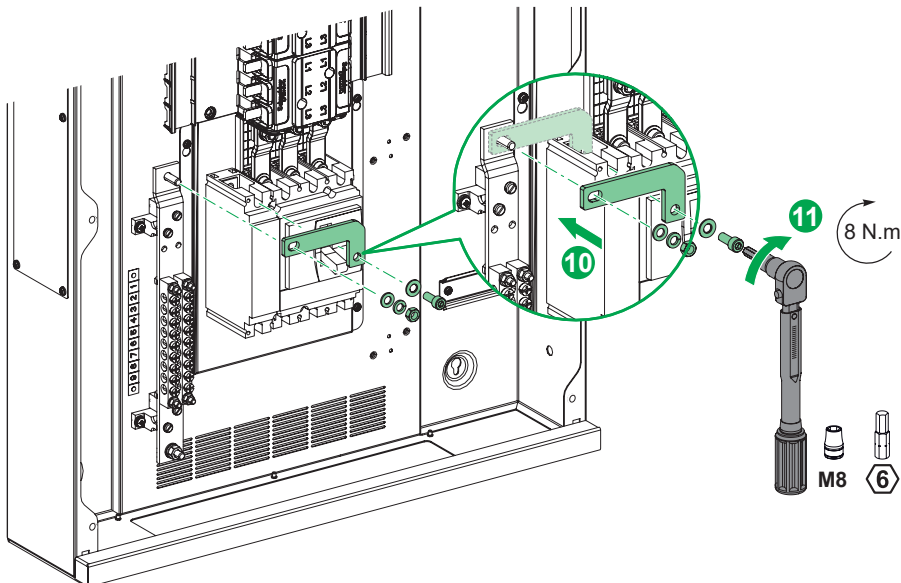
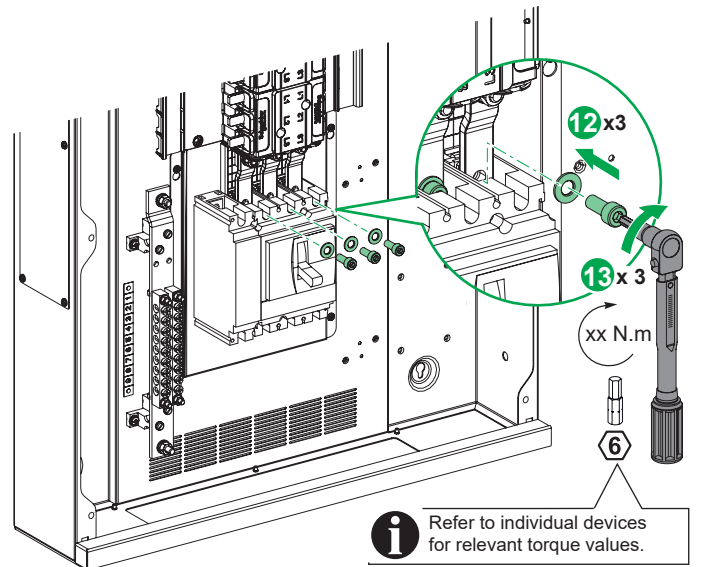
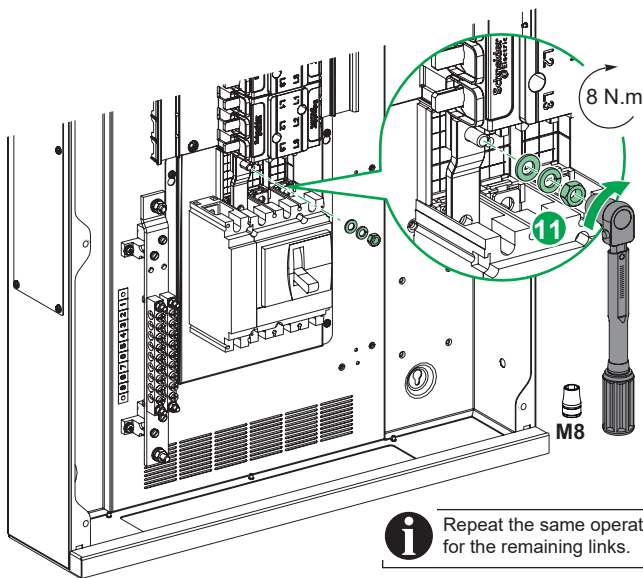
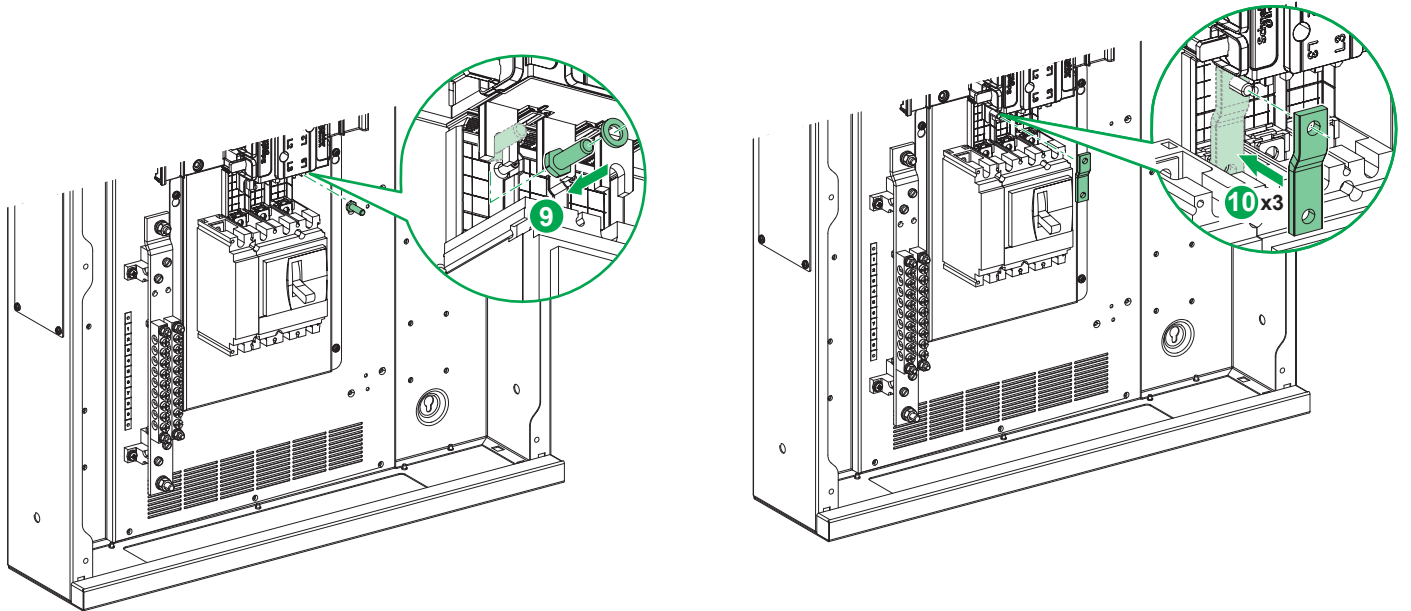
**i** LV429517 - Terminal shield for line section to be purchased separately.



**i** NSX device/ neutral link shown are sold separately.

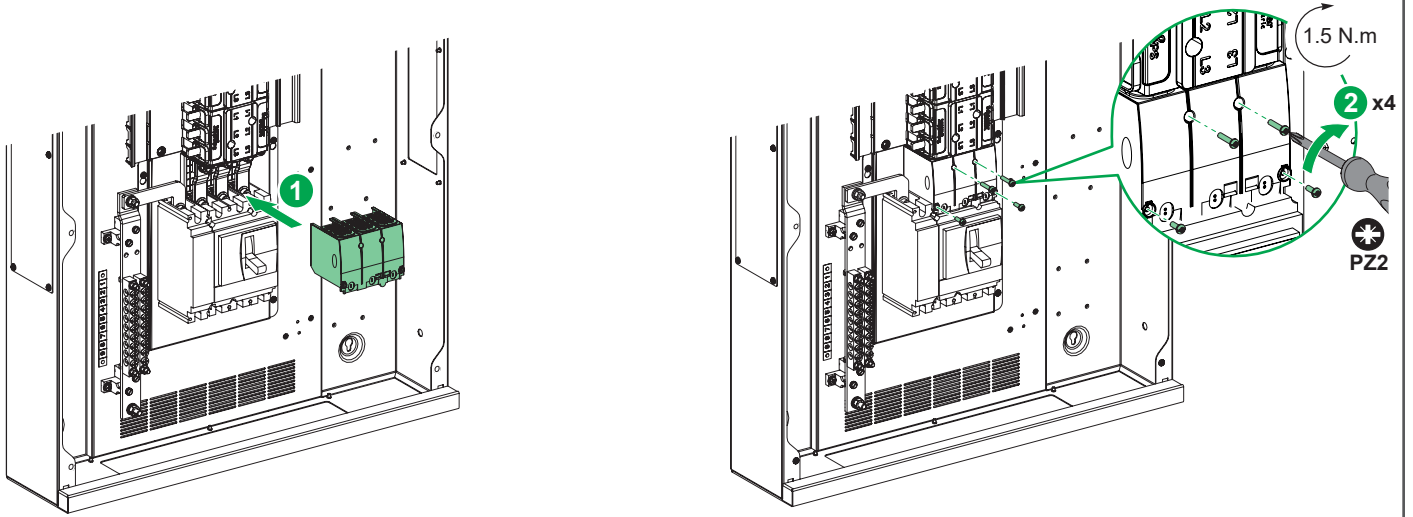
# 6

## Incomer Installation



# 7 Shield Cover Installation

## 7.1 Installation of 3 Pole Shield on a 3 Pole Incomer

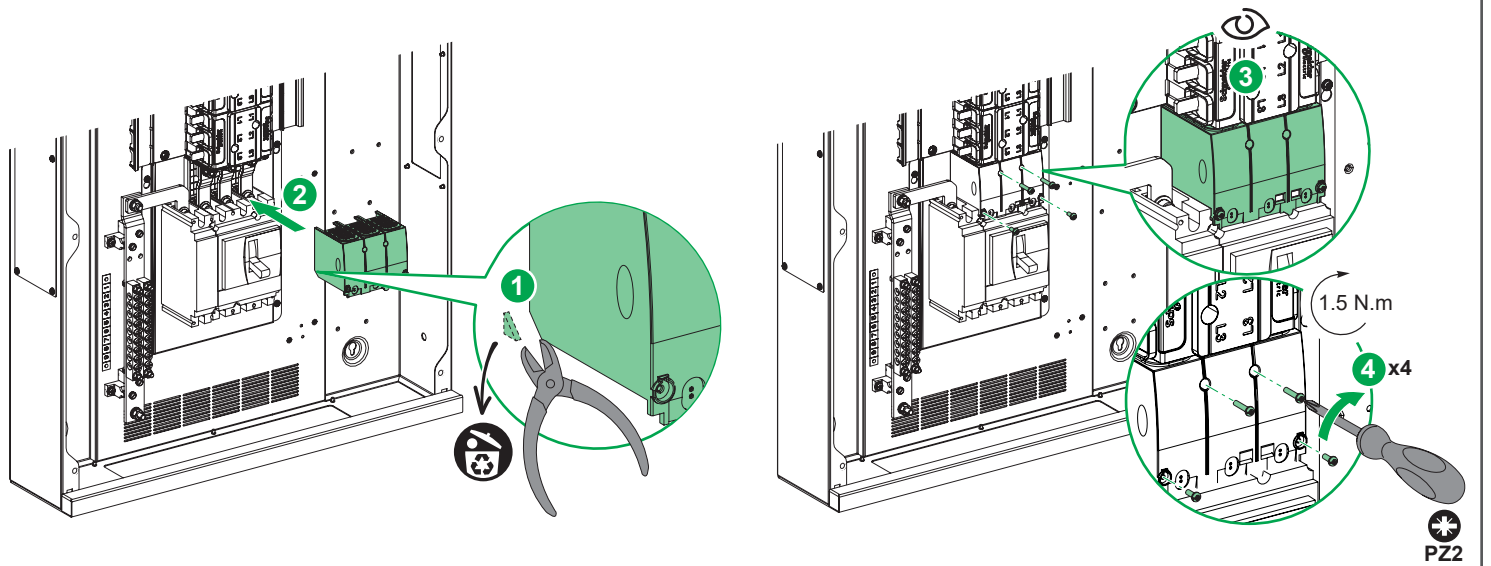


## 7.2 Preparation and Installation of 3 Pole Shield on a 4 Pole Incomer

### CAUTION

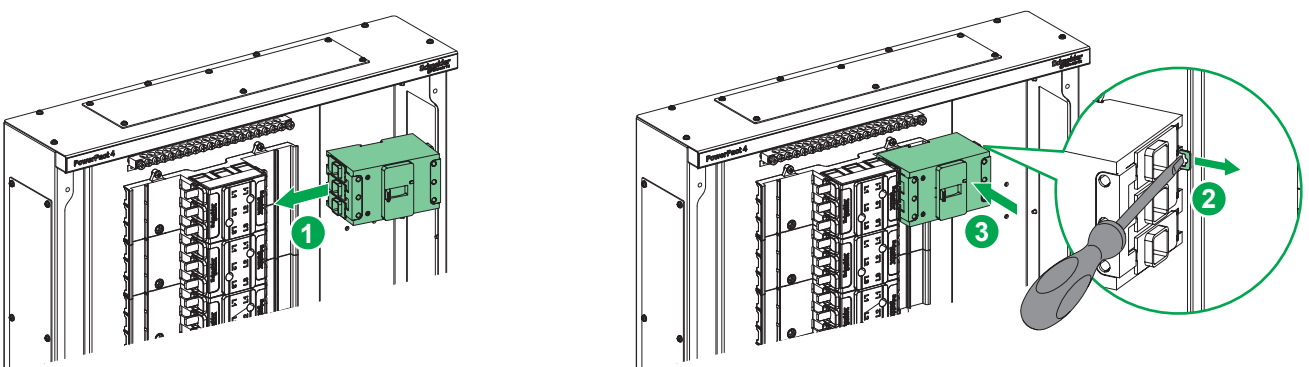
#### RISK OF CUTTING

Use a cutter and the appropriate personal protective equipment to cut the shield. Failure to follow these instructions can result in injury or equipment damage.



# 8 NSXm Device Installation

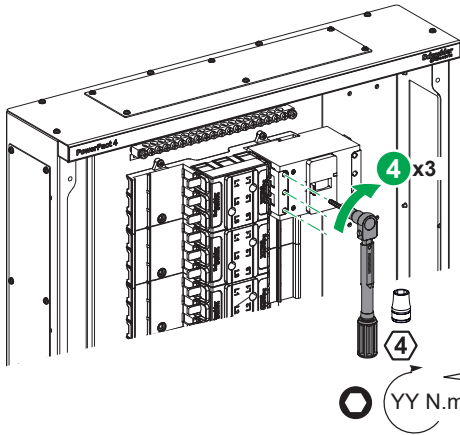
## 8.1 DIN Rail Installation



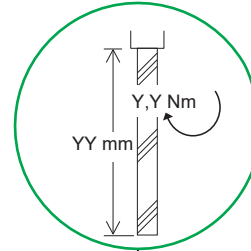
# 8

## NSXm Device Installation

### 8.2 Fixation



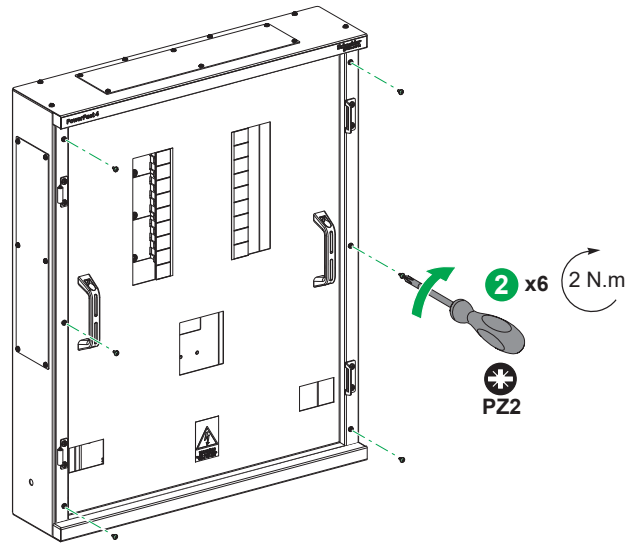
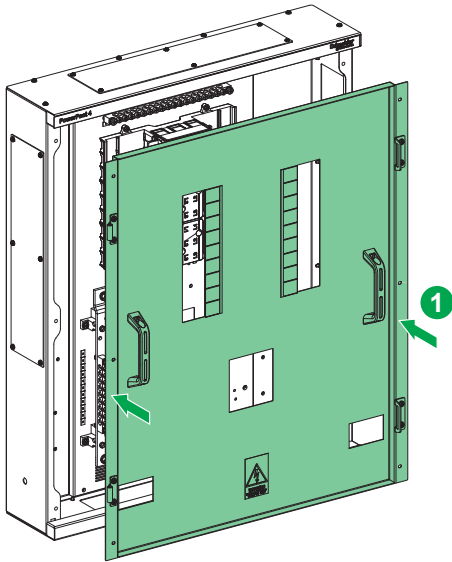
**i** Refer to individual devices for relevant torque values.



**i** Refer to individual devices for relevant torque and stripping values.

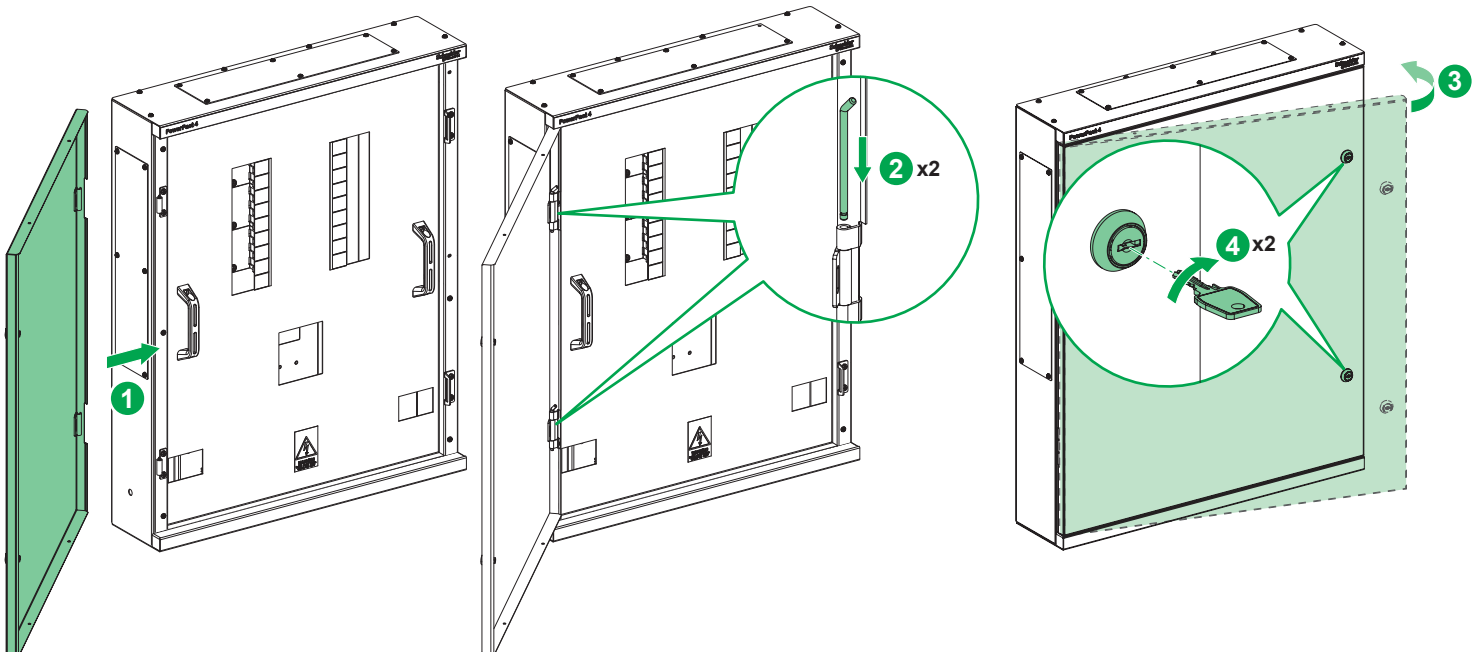
# 9

## Front Cover Installation

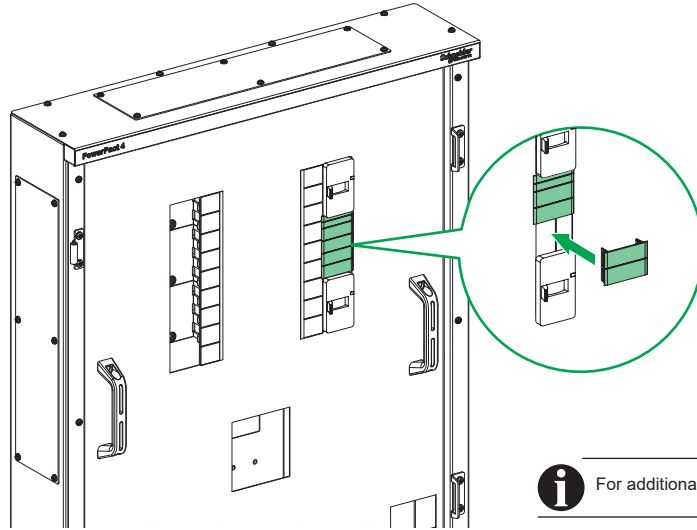


# 10

## Door Mounting

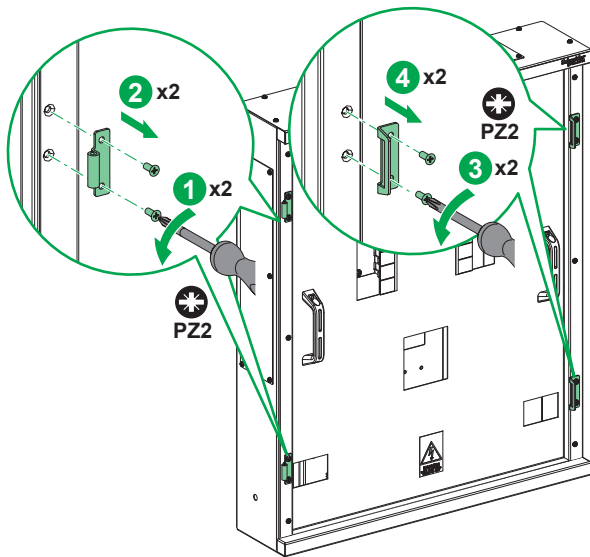


# 11 Pole Filler Installation

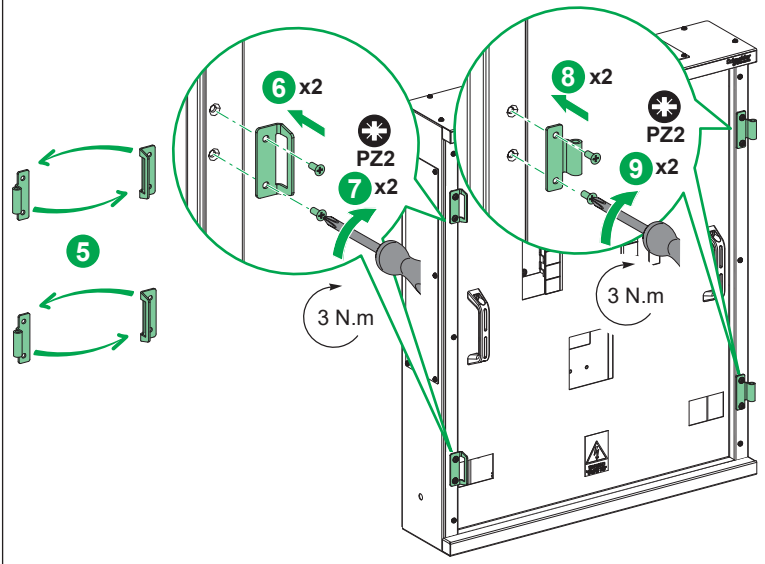


# 12 Door Reversing (Optional)

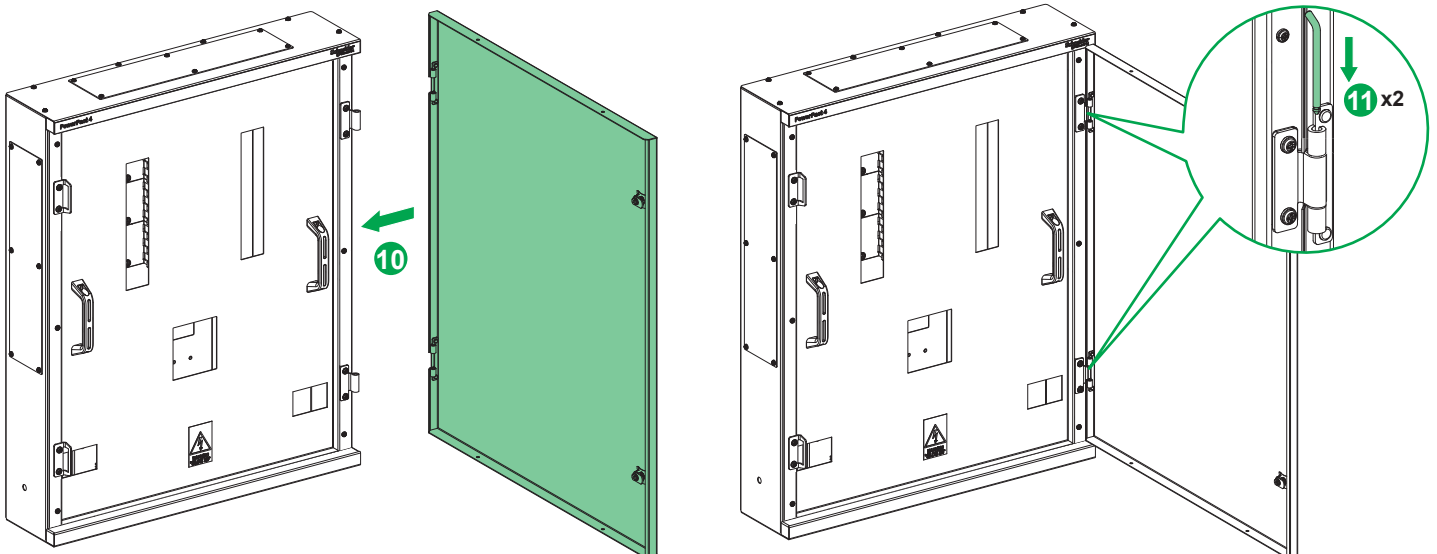
## 12.1 Hinge / Latch Removal



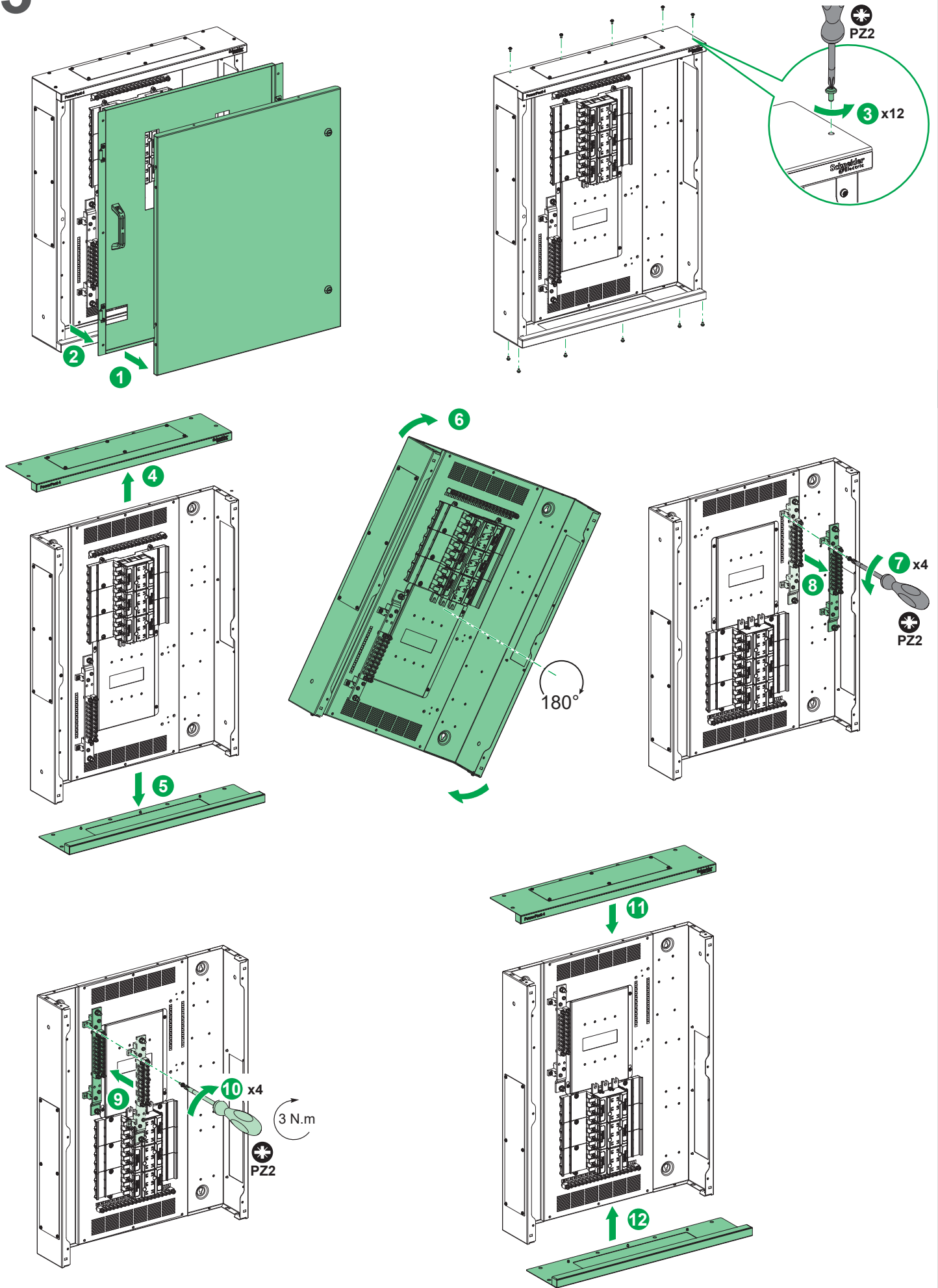
## 12.2 Re-fitting the Hinges



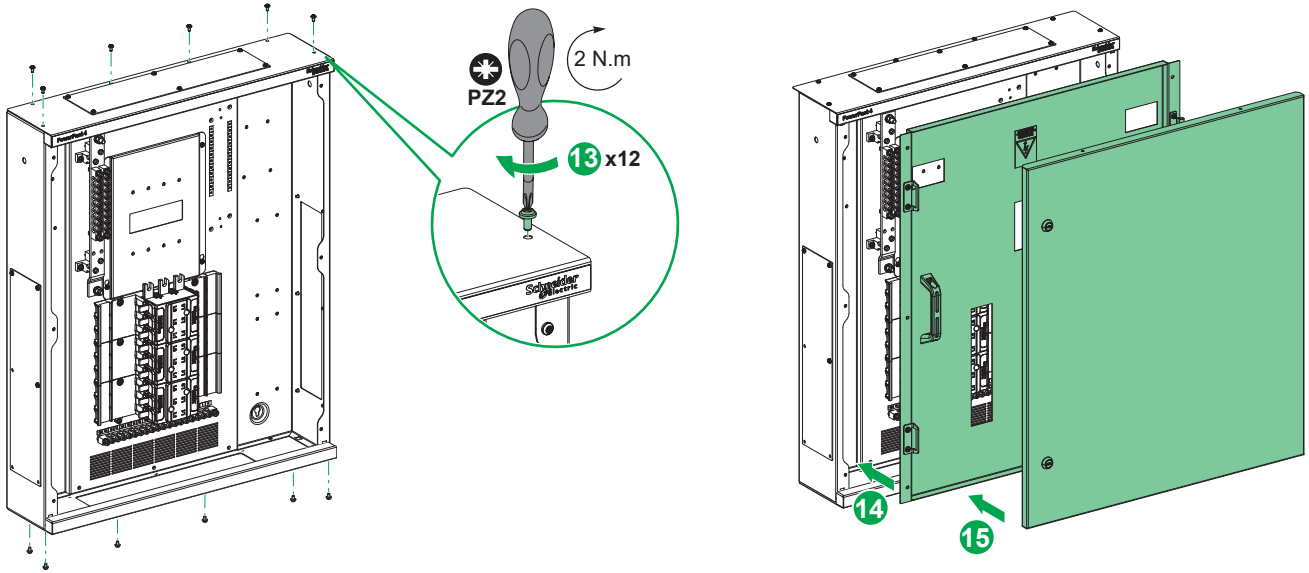
## 12.3 Door Fixing Arrangement



# 13 For Top Feed Installation (Optional)

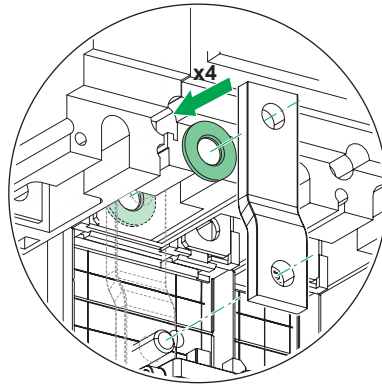


# 13 For Top Feed Installation (Optional)



**i** If door needs to be reversed, see chapter 12.

**i** For all top feed arrangements use 2 mm copper spacer between the links and incomer provided in the accessory kit



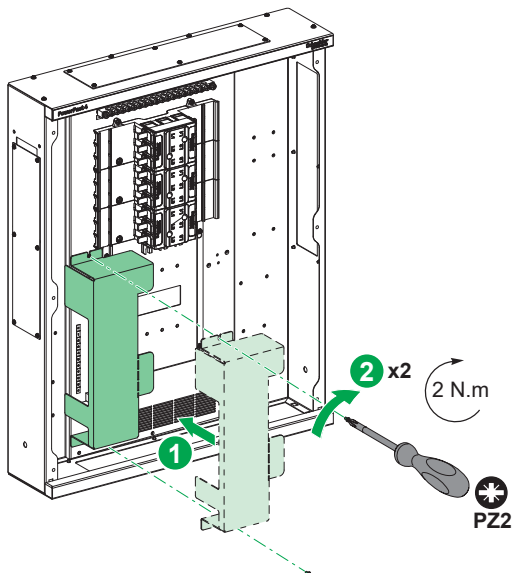
# 14 Neutral Bridge Cover Installation

**⚠ ⚠ DANGER**

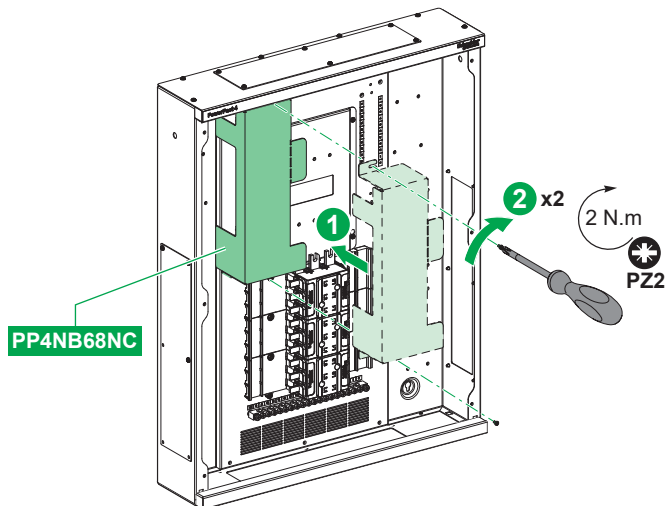
**HAZARD OF ELECTRIC SHOCK, EXPLOSION, OR ARC FLASH**


- Turn off all power supply to this product before working on it.
  - It is mandatory to install the neutral bridge cover to comply with form 3B type 2.
- Failure to follow these instructions will result in death or serious injury.

## 14.1 Standard Neutral Bridge Cover Installation

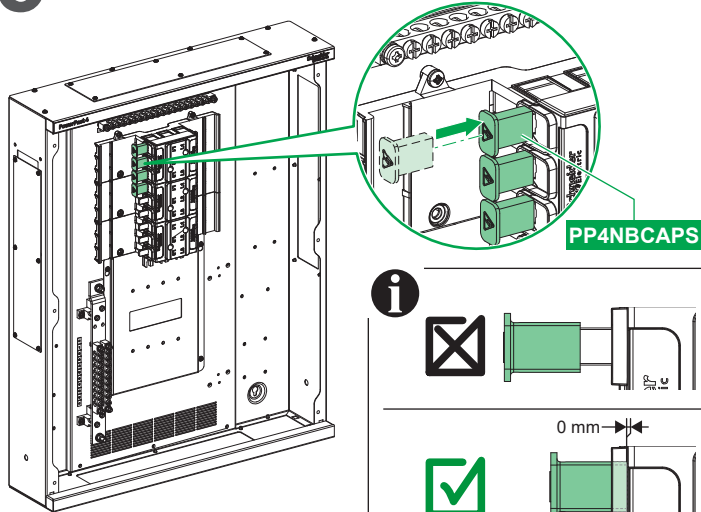


## 14.2 Top Feed Neutral Bridge Cover Installation



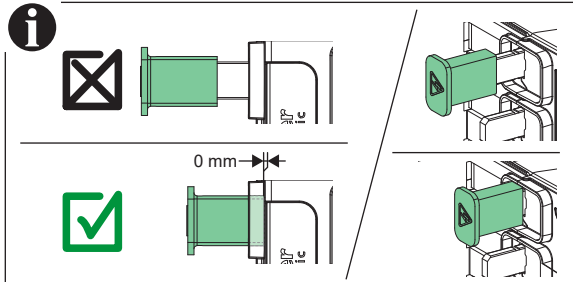
**i**  PP4NB68NC is sold separately. Use this for top feed installation on PP4NB26SM and PP4NB28SM.

# 15 Tooth Caps Installation



**⚠ ⚠ DANGER**  
**HAZARD OF ELECTRIC SHOCK, EXPLOSION, OR ARC FLASH**  
 • Turn off all the power supply to this product before working on it.  
 • It is mandatory to install the tooth caps to unused outgoing links to comply with form 3B type 2.  
**Failure to follow these instructions will result in death or serious injury.**

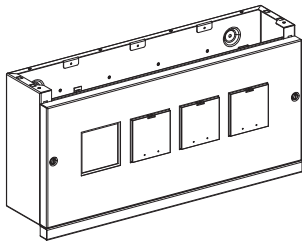
**i** All unused outgoing links must be fully covered with PP4NBCAPS tooth caps.



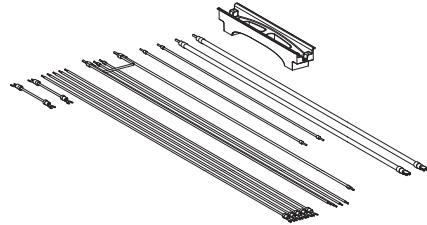
**i** PP4NBCAPS is sold separately. For additional tooth caps, place an order.

# 16 Accessories

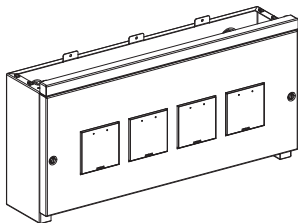
**1** PP4NBMETEXTKIT: PP4 Style B NSXm Meter Extension Kit



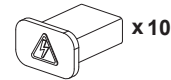
**5** PP4NBCABKIT: PP4 Style B Meter Cable Kit



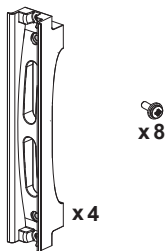
**2** PP4NBCABEXKIT: PP4 Style B Cable Extension Kit



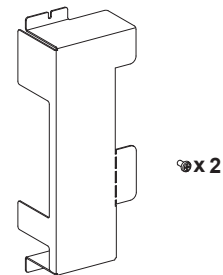
**6** PP4NBCAPS: Pack of 10 Tooth Caps for Style B



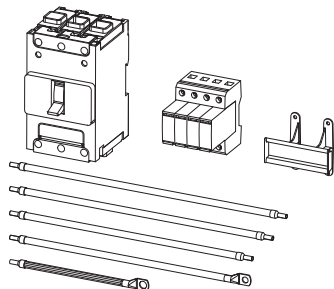
**3** PP4NBDIN: PP4 Style B DIN rail Kit



**7** PP4NB68NC: PP4 Neutral Bridge Cover



**4** PP4NBSPDKIT: PP4 Style B Surge Protection Kit



<b>Interface Characteristics</b>	
<b>Information relating to the assembly</b>	
Types of system earthing for which the assembly is designed	TT/TN-C/TN-C-S/IT, TN-S
Rated voltage (Un) (of the assembly)/ Rated operational voltage (Ue) (of a circuit of an assembly)	240 V
Rated insulation voltage (Ui) (of a circuit of an assembly)	500 V
Rated impulse withstand voltage (Uimp) (of the assembly)	6 kV
Rated diversity factor (RDF)	See IEC61439-2 (Table 101)
Transient Overvoltages	Category IV
Rated frequency (fn)	50 Hz
Rated conditional short-circuit current of a circuit of an assembly Icc	25 kA
Rated short-time withstand current of a main circuit of an assembly Icw	Main busbars 25 kA for 0.2 Sec 415 V Neutral circuit 15 kA for 0.2 Sec 415 V
Indoor and/or outdoor installation	Indoor installation only
Degree of protection	IP3X
Mechanical impact protection	IK07
Ambient air temperature – Lower limit	-5° C
Ambient air temperature – Upper limit	+40° C
Ambient air temperature – Daily average maximum	+35° C
Pollution degree	Pollution degree 3: Conductive pollution occurs, or dry non-conductive pollution occurs which is expected to become conductive due to condensation.
Altitude	≤2000 m
Electromagnetic compatibility (EMC) classification	Environment A
Special service conditions, if applicable	No special service conditions
Installation method	See instruction leaflet
Stationary or movable	Stationary
Type of construction	Fixed parts
Overall dimensions (including projections e.g handles, covers, doors)	See instruction leaflet
External design	Wall-mounted surface type assembly
Intended for use by skilled or ordinary persons	Skilled persons
Rated current of the assembly (InA)	250 / 240 A (Switch-Disconnecter/ MCCB)
Rated current of a main outgoing circuit (Inc)	147 A
Group rated current of a main circuit (Ing)	N/A (InA provided instead)
Rated peak withstand current (Ipk)	51.6 kA