

# Product datasheet

Specifications



Wireless and batteryless package,  
Harmony XB5R, Wireless metal  
22mm black pushbutton, non  
configurable receiver, 24V DC

XB4RFB01

## Main

Range of product	Harmony XB4R
Product or component type	Wireless and batteryless package
Device short name	XB4R
Head material	Metal
frequency	2405 MHz for transmitter 2405 MHz for receiver
emission class	5M00G7W
Antenna type	Omnidirectional

## Complementary

Control type	Wireless and batteryless push-button Ø 22 mm assembled on fixing collar
Type of receiver	Non-programmable receiver (1 relay)
[Us] rated supply voltage	24 V DC
Kit composition	1 fixing collars 1 diameter: 22 mm 1 push-button head diameter: 22 mm 1 transmitter 1 receiver 1 set of caps
Communication port protocol	Zigbee conforming to IEEE 802.15.4
Max power consumption in W	1 mW
Number of channels	1
Modulation Technique	O-QPSK
Bandwidth	5 MHz
Antenna gain	0 dBi
customizable	No
Compatibility code	XB4R
[Us] rated supply voltage	24 V

## Environment

Product certifications	CCC C-Tick GOST CSA UL
Marking	CE

<b>Standards</b>	UL 508 EN/IEC 60947-1 CSA C22.2 No 14 EN/IEC 60947-5-1
------------------	---

<b>Radio agreement</b>	ARIB T66 RSS ICASA SRRC FCC ANATEL
------------------------	---

## Packing Units

<b>Unit Type of Package 1</b>	PCE
-------------------------------	-----

<b>Number of Units in Package 1</b>	1
-------------------------------------	---

<b>Package 1 Height</b>	9.300 cm
-------------------------	----------

<b>Package 1 Width</b>	10.500 cm
------------------------	-----------

<b>Package 1 Length</b>	11.000 cm
-------------------------	-----------

<b>Package 1 Weight</b>	235.000 g
-------------------------	-----------

<b>Unit Type of Package 2</b>	S03
-------------------------------	-----

<b>Number of Units in Package 2</b>	16
-------------------------------------	----

<b>Package 2 Height</b>	30.000 cm
-------------------------	-----------

<b>Package 2 Width</b>	30.000 cm
------------------------	-----------

<b>Package 2 Length</b>	40.000 cm
-------------------------	-----------

<b>Package 2 Weight</b>	4.000 kg
-------------------------	----------

## Contractual warranty

<b>Warranty</b>	18 months
-----------------	-----------

## Environmental Data

Schneider Electric aims to achieve Net Zero status by 2050 through supply chain partnerships, lower impact materials, and circularity via our ongoing “Use Better, Use Longer, Use Again” campaign to extend product lifetimes and recyclability.

[How this information helps you >](#)

### Use Better

#### Materials and Substances

Packaging made with recycled cardboard	No
Packaging without single use plastic	No
EU RoHS Directive	Pro-active compliance (Product out of EU RoHS legal scope)
SCIP Number	25b7f895-3732-43c8-9910-ef6005058640
REACH Regulation	<a href="#">REACH Declaration</a>
China RoHS Regulation	<a href="#">China RoHS declaration</a>

### Use Again

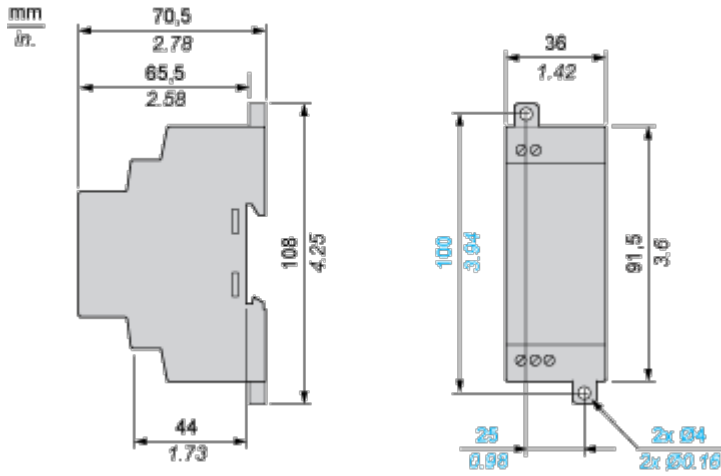
#### Repack and remanufacture

Circularity Profile	No need of specific recycling operations
WEEE	 The product must be disposed on European Union markets following specific waste collection and never end up in rubbish bins
Take-back	No

Dimensions Drawings

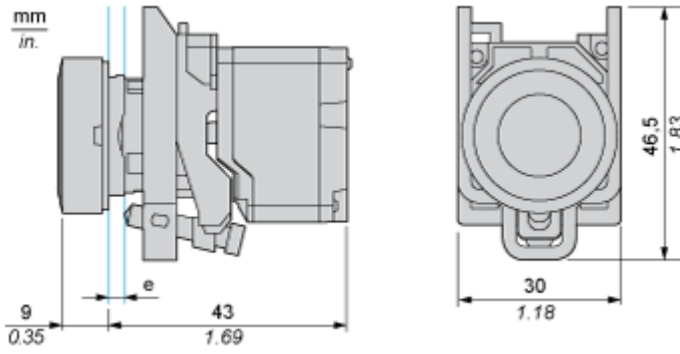
Non-Programmable Receiver

---



Wireless and Batteryless Pushbutton - Transmitter

With Metal Pushbutton without Cap

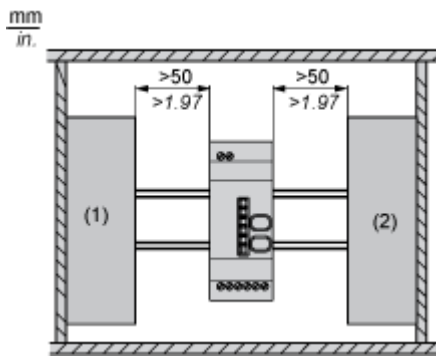


e: panel thickness 1 to 6 mm / 0.039 to 0.24 in.

## Mounting and Clearance

### Receiver Clearance

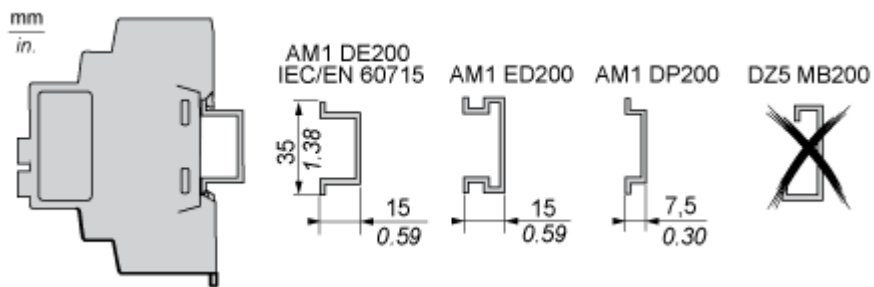
---



- (1) Drive
- (2) Power Supply or PLC

Receiver Mounting

---

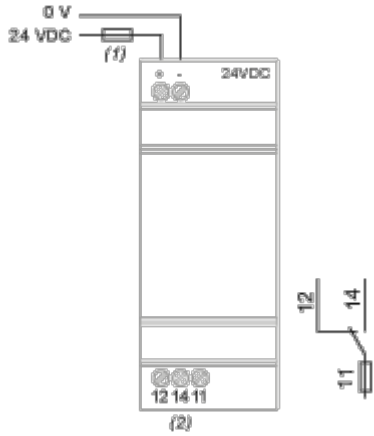


## Connections and Schema

### Non-Programmable Receiver

---

#### Wiring Diagram

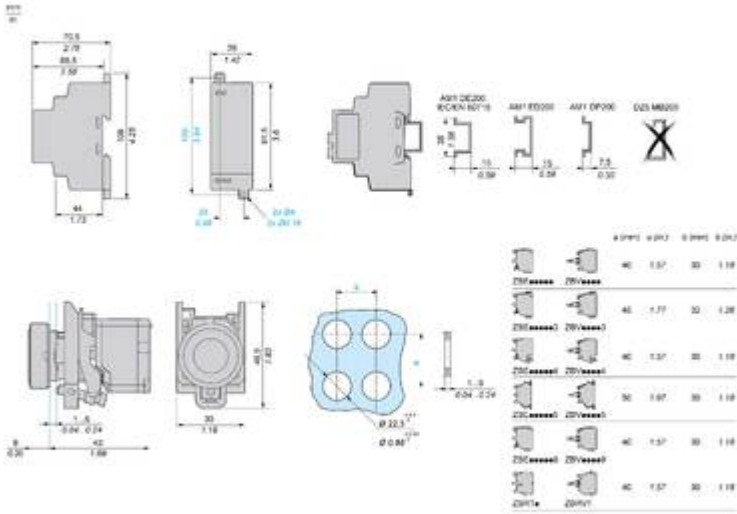


- (1) 125 mA fast-blow fuse
- (2)  $I_{max} = 3 \text{ A}$

Technical Illustration

Dimensions

---



Technical Illustration

Wiring diagram

---

