

Product datasheet

Specifications



Wireless push button and configurable receiver with 10 colored caps, Harmony XB5R, plastic, Ø22, 24...240 V AC/DC

XB5RFA02

Main

Range of product	Harmony XB5R
Product or component type	Wireless and batteryless package
Device short name	XB5R
Head material	Plastic
frequency	2405 MHz for transmitter 2405 MHz for receiver
emission class	5M00G7W
Antenna type	Omnidirectional

Complementary

Control type	Wireless and batteryless push-button Ø 22 mm assembled on fixing collar
Type of receiver	Programmable receiver (2 relays)
[Us] rated supply voltage	24...240 V AC/DC 50/60 Hz
Kit composition	1 transmitter 1 set of caps 1 receiver 1 fixing collars 1 diameter: 22 mm 1 push-button head diameter: 22 mm
Status LED	1 LED green for power ON 2 LEDs green for relay ON 2 LEDs green for function mode 1 LED green and yellow for reception signal
Communication port protocol	Zigbee conforming to IEEE 802.15.4
Max power consumption in W	1 mW
Number of channels	1
Modulation Technique	O-QPSK
Bandwidth	5 MHz
Antenna gain	0 dBi
customizable	No
Compatibility code	XB5R

Environment

Product certifications	UL CCC GOST CSA C-Tick
------------------------	------------------------------------

Marking	CE
Standards	CSA C22.2 No 14 IEC 60947-5-1 UL 508 IEC 60947-1
Radio agreement	SRRC RSS ARIB T66 FCC ICASA ANATEL

Packing Units

Unit Type of Package 1	PCE
Number of Units in Package 1	1
Package 1 Height	9.300 cm
Package 1 Width	10.500 cm
Package 1 Length	10.800 cm
Package 1 Weight	207.000 g
Unit Type of Package 2	S03
Number of Units in Package 2	16
Package 2 Height	30.000 cm
Package 2 Width	30.000 cm
Package 2 Length	40.000 cm
Package 2 Weight	3.850 kg

Contractual warranty

Warranty	18 months
-----------------	-----------

Environmental Data

Schneider Electric aims to achieve Net Zero status by 2050 through supply chain partnerships, lower impact materials, and circularity via our ongoing “Use Better, Use Longer, Use Again” campaign to extend product lifetimes and recyclability.

[How this information helps you >](#)

Environmental footprint

Carbon footprint (kg CO2 eq,
Total Life cycle) **33**

Environmental Disclosure [Product Environmental Profile](#)

Use Better

Materials and Substances

Packaging made with recycled
cardboard **No**

Packaging without single use
plastic **No**

EU RoHS Directive **Pro-active compliance
(Product out of EU RoHS legal
scope)**

SCIP Number **25b7f895-3732-43c8-9910-
ef6005058640**

REACH Regulation [REACH Declaration](#)

China RoHS Regulation [China RoHS declaration](#)

Use Again

Repack and remanufacture

Circularity Profile [End of Life Information](#)

WEEE



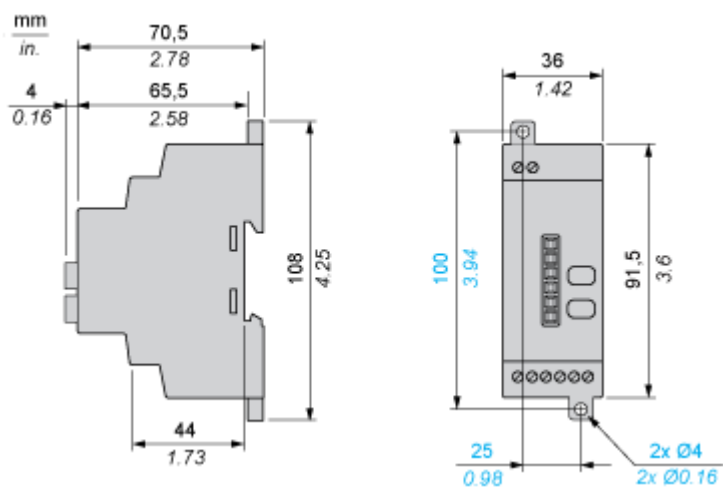
The product must be disposed on European Union markets following specific waste collection and never end up in rubbish bins

Take-back

No

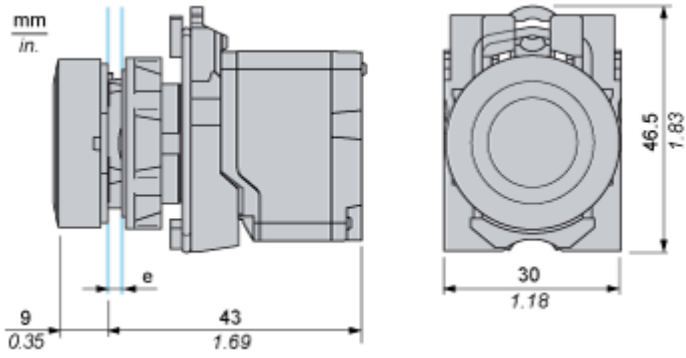
Dimensions Drawings

Programmable Receiver



Wireless and Batteryless Pushbutton - Transmitter

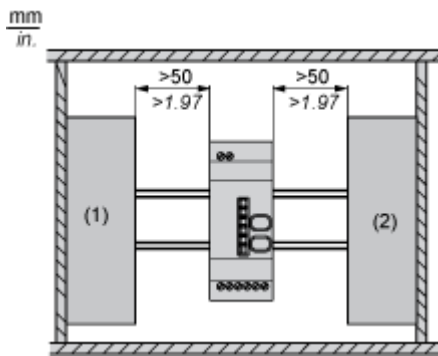
With Plastic Pushbutton without Cap



e: panel thickness 1 to 6 mm / 0.039 to 0.24 in.

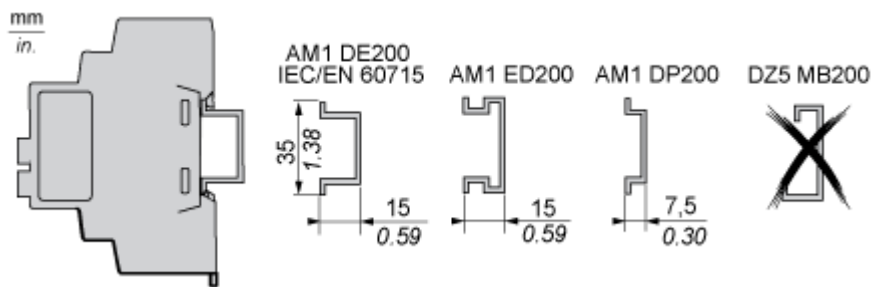
Mounting and Clearance

Receiver Clearance



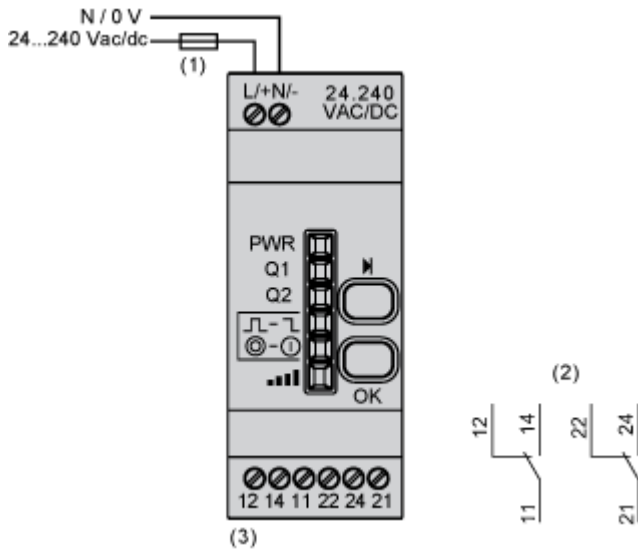
- (1) Drive
- (2) Power Supply or PLC

Receiver Mounting



Connections and Schema

Programmable Receiver



- (1) 500 mA
- (2) Output contacts
- (3) $I_{max} = 3\text{ A}$

Technical Illustration

Wiring diagram

