

# Data Sheet :

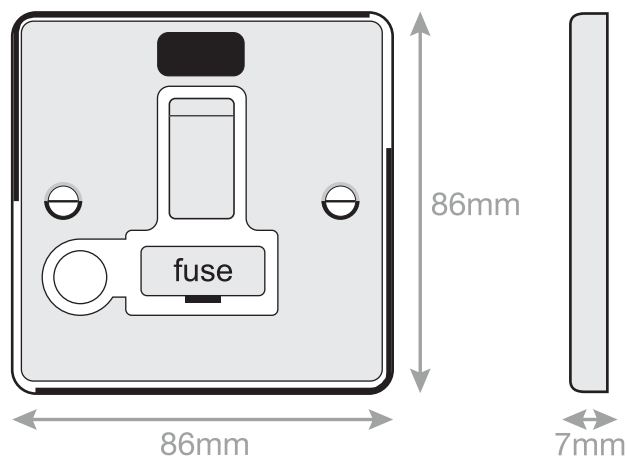
## 7MPRO-330



Intertek



Electrical & Lighting Products



<b>Code</b>	7MPRO-330
<b>Description</b>	Fused Connection Units - 13 amp DP switched with neon with flex outlet on front plate
<b>Size</b>	86mm x 86mm (1 gang) 7mm depth
<b>Range</b>	7M-PRO
<b>Colour</b>	Polished chrome white insert
<b>Material</b>	Premium grade steel
<b>Included</b>	M3.5 fixing screws & wiring instructions
<b>Weight</b>	0.2kg
<b>Inner Carton Quantity</b>	10
<b>Inner Carton Weight</b>	2kg
<b>Guarantee</b>	5 year plate guarantee
<b>Barcode</b>	5025117002681
<b>Commodity Code</b>	85369085
<b>Standards</b>	BS 1363-4
<b>Notes</b>	<ul style="list-style-type: none"> <li>• ASTA approved</li> <li>• Suitable for hard wired electrical appliances, such as washing machines and dishwashers. They are also used for electrical items that need to be installed on a separate cable from the ring main, for safety and maintenance purposes</li> <li>• Metal fuse cover</li> <li>• Modular and Euro Media products available within the range</li> </ul>