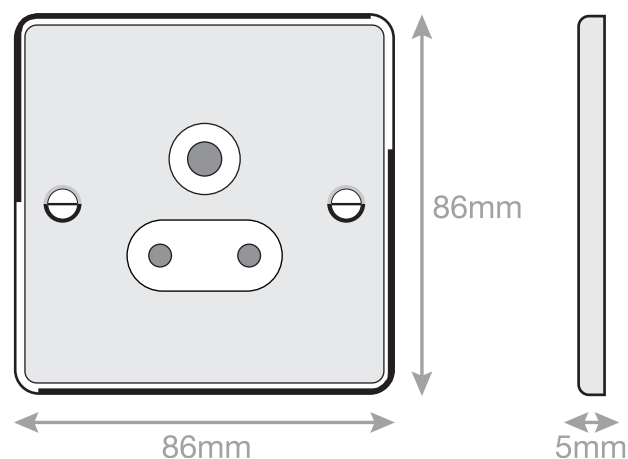


Data Sheet : DSL126



Code	DSL126
Description	5 Amp Round Pin Socket Outlets with shutters - 3 pin - Unswitched
Size	86mm x 86mm x 5mm
Range	Selectric 5M
Colour	Satin chrome with white insert
Material	Premium grade steel
Included	M3.5 fixing screws & wiring instructions
Weight	0.14kg
Inner Carton Quantity	10
Inner Carton Weight	1.4kg
Guarantee	5 year plate guarantee
Barcode	5025117981269
Commodity Code	85369085
Standards	BS 546
Notes	<ul style="list-style-type: none">• Power socket for 5A 3 pin plug• Minimum backing box depth required: 25mm