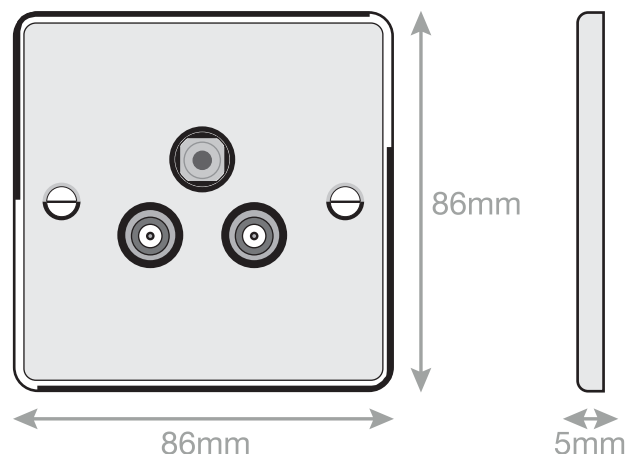


Data Sheet : DSL237



Code	DSL237
Description	1 Gang F-Type Satellite Socket + 2 Gang Coaxial / Aerial Socket - Isolated
Size	86mm x 86mm x 5mm
Range	Selectric 5M
Colour	Satin chrome with black insert
Material	Premium grade steel
Included	M3.5 fixing screws & wiring instructions
Weight	0.13kg
Inner Carton Quantity	10
Inner Carton Weight	1.3kg
Guarantee	5 year plate guarantee
Barcode	5025117982372
Commodity Code	85369085
Standards	BS 3041-7
Notes	<ul style="list-style-type: none"> • An isolated socket lets the signal through from the aerial/satellite dish but does not allow any kind of return signal/current. The isolated socket blocks interference from receivers (televisions, digital boxes, satellite boxes) which spoils the signal • Suitable for TV / FM & Cable connections • Minimum backing box depth required: 25mm