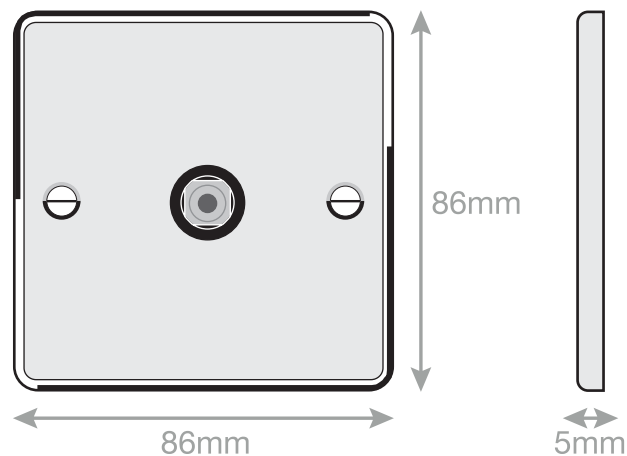


Data Sheet : DSL435



| | |
|------------------------------|---|
| Code | DSL435 |
| Description | 1 Gang F-Type Satellite Socket |
| Size | 86mm x 86mm x 5mm |
| Range | Selectric 5M |
| Colour | Black nickel with black insert |
| Material | Premium grade steel |
| Included | M3.5 fixing screws & wiring instructions |
| Weight | 0.13kg |
| Inner Carton Quantity | 10 |
| Inner Carton Weight | 1.3kg |
| Guarantee | 5 year plate guarantee |
| Barcode | 5025117984352 |
| Commodity Code | 85369085 |
| Standards | BS 3041-7 |
| Notes | <ul style="list-style-type: none">• Suitable for TV / FM & Cable connections• Minimum backing box depth required: 25mm |