

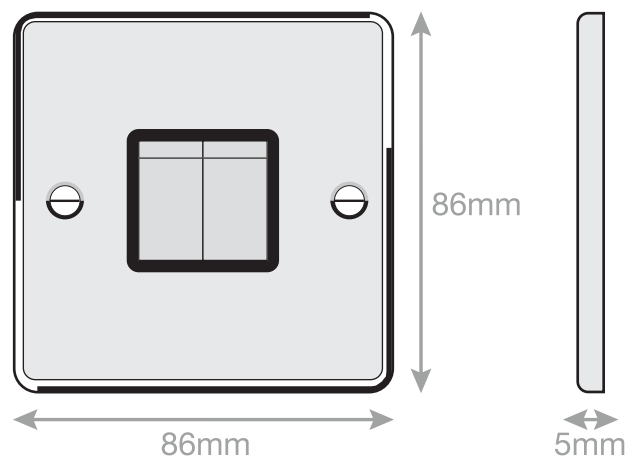
# Data Sheet : DSL602



Intertek



Electrical & Lighting Products



<b>Code</b>	DSL602
<b>Description</b>	10 Amp Plate Switch - 2 gang 2 way - X-Rated
<b>Size</b>	86mm x 86mm x 5mm depth
<b>Range</b>	Selectric 5M
<b>Colour</b>	Antique brass with black insert & matching metal rockers
<b>Material</b>	Premium grade steel
<b>Included</b>	M3.5 fixing screws & wiring instructions
<b>Weight</b>	0.14kg
<b>Inner Carton Quantity</b>	10
<b>Inner Carton Weight</b>	1.4kg
<b>Guarantee</b>	5 year plate guarantee
<b>Barcode</b>	5025117976029
<b>Commodity Code</b>	85369085
<b>Standards</b>	BS EN 60669-1
<b>Notes</b>	<ul style="list-style-type: none"><li>• 10 Amp plate switch modules are interchangeable with any plate product within the 5M range</li><li>• ASTA approved</li><li>• Each terminal capable of accepting 3 x 1.5mm</li><li>• X-rated for fluorescent or inductive loads</li><li>• Minimum backing box depth required: 16mm</li></ul>