

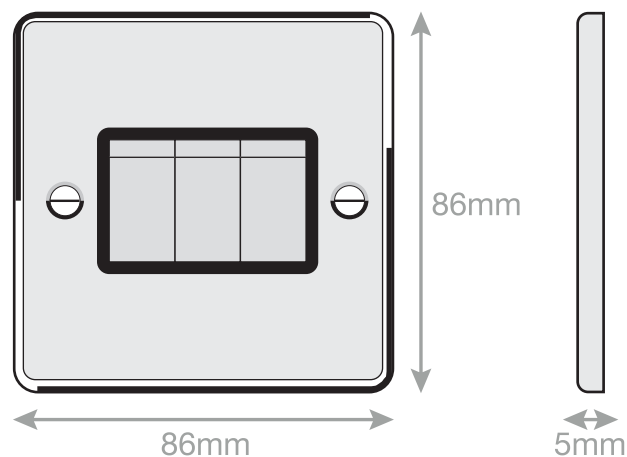
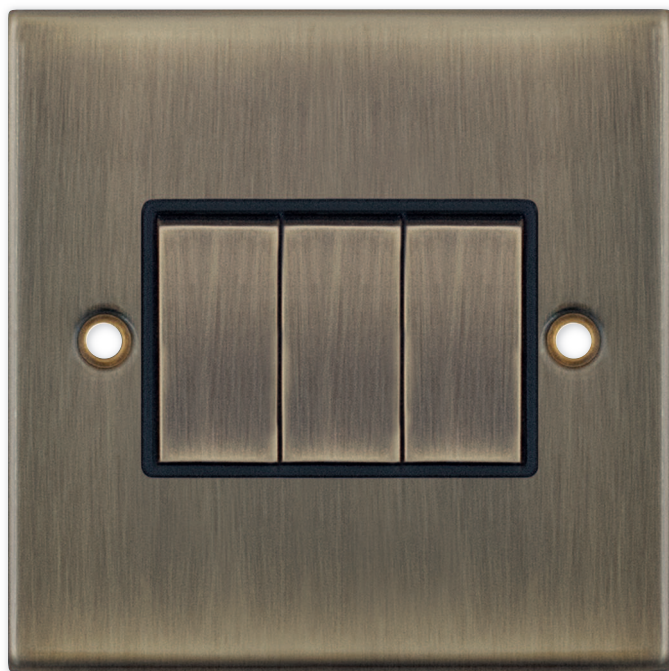
Data Sheet : DSL603



Intertek



Electrical & Lighting Products



| | |
|------------------------------|---|
| Code | DSL603 |
| Description | 10 Amp Plate Switch - 3 gang 2 way - X-Rated |
| Size | 86mm x 86mm x 5mm |
| Range | Selectric 5M |
| Colour | Antique brass with black insert & matching metal rockers |
| Material | Premium grade steel |
| Included | M3.5 fixing screws & wiring instructions |
| Weight | 0.16kg |
| Inner Carton Quantity | 10 |
| Inner Carton Weight | 1.6kg |
| Guarantee | 5 year plate guarantee |
| Barcode | 5025117976036 |
| Commodity Code | 85369085 |
| Standards | BS EN 60669-1 |
| Notes | <ul style="list-style-type: none">• 10 Amp plate switch modules are interchangeable with any plate product within the 5M range• ASTA approved• Each terminal capable of accepting 3 x 1.5mm• X-rated for fluorescent or inductive loads• Minimum backing box depth required: 16mm |