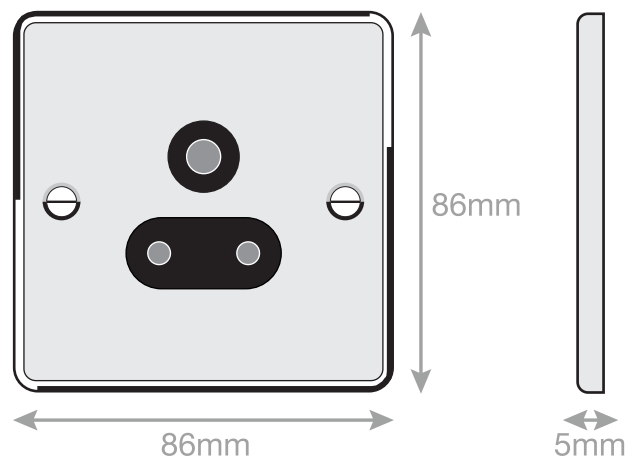


# Data Sheet : DSL826



<b>Code</b>	DSL826
<b>Description</b>	5 Amp Round Pin Socket Outlets with shutters - 3 pin - Unswitched
<b>Size</b>	86mm x 86mm x 5mm
<b>Range</b>	Selectric 5M
<b>Colour</b>	Satin brass with black insert
<b>Material</b>	Premium grade steel
<b>Included</b>	M3.5 fixing screws & wiring instructions
<b>Weight</b>	0.14kg
<b>Inner Carton Quantity</b>	10
<b>Inner Carton Weight</b>	1.4kg
<b>Guarantee</b>	5 year plate guarantee
<b>Barcode</b>	5025117978269
<b>Commodity Code</b>	85369085
<b>Standards</b>	BS 546
<b>Notes</b>	<ul style="list-style-type: none"><li>• Power socket for 5A 3 pin plug</li><li>• Minimum backing box depth required: 25mm</li></ul>