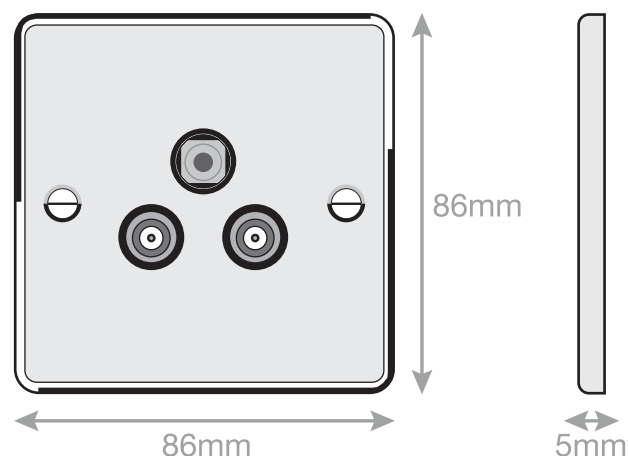


# Data Sheet : DSL837



<b>Code</b>	DSL837
<b>Description</b>	1 Gang F-Type Satellite Socket + 2 Gang Coaxial / Aerial Socket - Isolated
<b>Size</b>	86mm x 86mm x 5mm
<b>Range</b>	Selectric 5M
<b>Colour</b>	Satin brass with black insert
<b>Material</b>	Premium grade steel
<b>Included</b>	M3.5 fixing screws & wiring instructions
<b>Weight</b>	0.13kg
<b>Inner Carton Quantity</b>	10
<b>Inner Carton Weight</b>	1.3kg
<b>Guarantee</b>	5 year plate guarantee
<b>Barcode</b>	5025117978375
<b>Commodity Code</b>	85369085
<b>Standards</b>	BS 3041-7
<b>Notes</b>	<ul style="list-style-type: none"> <li>• An isolated socket lets the signal through from the aerial/satellite dish but does not allow any kind of return signal/current. The isolated socket blocks interference from receivers (televisions, digital boxes, satellite boxes) which spoils the signal</li> <li>• Suitable for TV / FM &amp; Cable connections</li> <li>• Minimum backing box depth required: 25mm</li> </ul>