

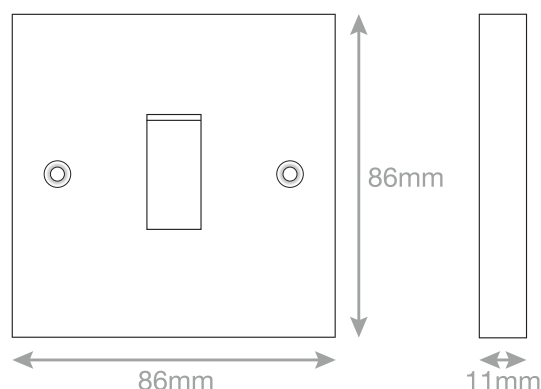
Data Sheet : LG201-2



Intertek



Electrical & Lighting Products



Code	LG201-2
Description	10 amp plate switch - 1 gang 2 way X-Rated
Size	86mm x 86mm (1 gang)
Range	Selectric Square
Colour	White
Material	
Included	M3.5 fixing screws
Weight	0.06kg
Inner Carton Quantity	10
Inner Carton Weight	0.6kg
Outer Carton Quantity	
Outer Carton Weight	
Outer Carton Length	
Outer Carton Width	
Outer Carton Height	
Outer Carton Volume	
Guarantee	25 years
Barcode	5025117013014
Commodity Code	85369085
Standards	BSEN60669-1
Notes	<ul style="list-style-type: none"> • All 10 amp plate switch modules are interchangeable with any plate product within the Square range • ASTA Approved