

Data Sheet :

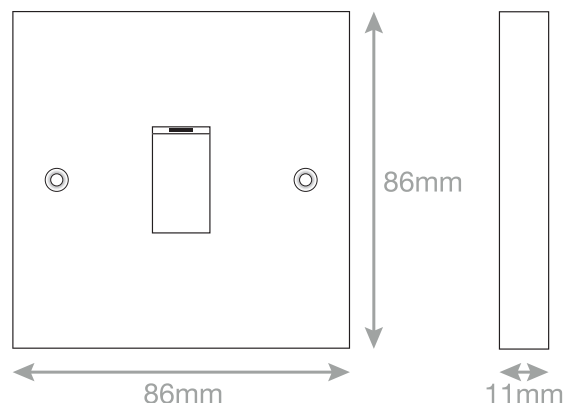
LG220



Intertek



Electrical & Lighting Products



Code	LG220
Description	20 amp double pole switch
Size	86mm x 86mm (1 gang)
Range	Selectric Square
Colour	White
Material	
Included	M3.5 fixing screws
Weight	0.14kg
Inner Carton Quantity	10
Inner Carton Weight	1.4kg
Outer Carton Quantity	
Outer Carton Weight	
Outer Carton Length	
Outer Carton Width	
Outer Carton Height	
Outer Carton Volume	
Guarantee	25 years
Barcode	5025117013151
Commodity Code	85369085
Standards	BS3676
Notes	<ul style="list-style-type: none"> • 20 amp double pole switch has a cable clamp located on the inside of the plate, capable of accepting a 2.5mm flex • ASTA approved