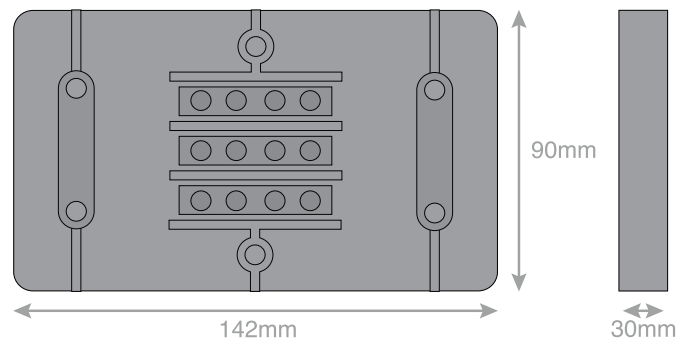


Data Sheet : LGK829B



| | |
|------------------------------|---|
| Code | LGK829B |
| Description | 60 Amp Junction Box 3 Terminal - 3 x 2.5mm (Brown) |
| Size | 142mm x 90mm x 30mm |
| Range | Selectric Square |
| Colour | Brown |
| Material | Urea body, brass Connectors |
| Included | Instructions |
| Weight | 0.7kg |
| Inner Carton Quantity | 5 |
| Inner Carton Weight | 3.5kg |
| Guarantee | 25 years |
| Barcode | 5025117999707 |
| Commodity Code | 85369085 |
| Standards | BS 7671 & BS EN 60670-1 |
| Notes | <ul style="list-style-type: none"> • An electrical junction box is an enclosure, housing electrical connections, to protect the connections and provide a safety barrier. It is used mostly in ceilings, under floors or concealed behind an access panel – particularly in domestic or commercial buildings • IP20 |