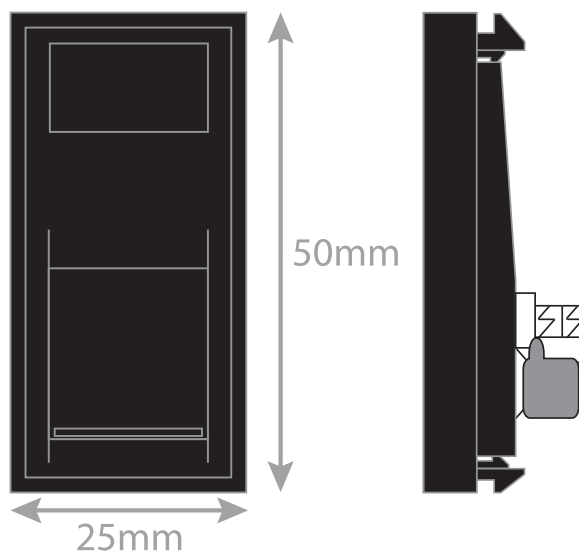


Data Sheet : MOD-14



Code	MOD-14
Description	RJ45 Cat6 Computer / Data Socket Module – Unshielded
Size	25mm x 50mm
Range	Selectric Euro Media/Data Plates & Modules
Colour	Black
Included	Fixing Screws
Material	Urea
Weight	0.014kg
Inner Carton Quantity	20
Inner Carton Weight	0.28kg
Guarantee	5 Years
Barcode	5025117980316
Commodity Code	85369085
Standards	BS 6312-2-2 & BS EN 50173-1
Notes	<ul style="list-style-type: none">• RJ45 CAT6 can handle up to 10 Gigabits of data, with a bandwidth of up to 164 feet and is more than sufficient for most residential and commercial purposes• Used to connect computers onto Ethernet-based LAN (Local Area Network)• RJ45: 8P8C = 8 Position 8 Contact• For use with Selectric Euro Media/Data Plates• Minimum backing box depth required: 32mm