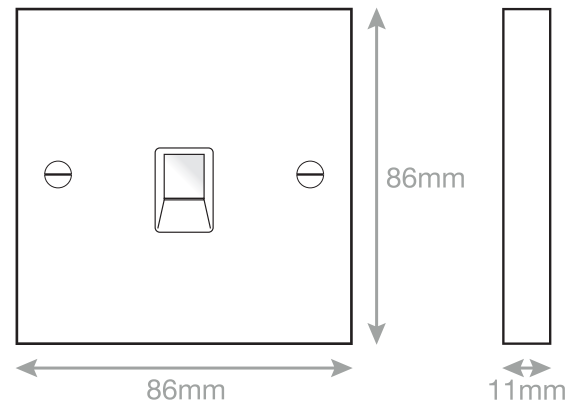


Data Sheet :

NLGRJ45



Code	NLGRJ45
Description	RJ45 Computer/Data Socket
Size	86mm x 86mm (1 gang)
Range	Selectric Square
Colour	White
Material	Bakelite
Included	M3.5 fixing screws & instructions
Weight	0.1kg
Inner Carton Quantity	10
Inner Carton Weight	1kg
Guarantee	25 years
Barcode	5025117215371
Commodity Code	85369085
Standards	BS 6312-2-2 & BS EN 50173-1
Notes	<ul style="list-style-type: none">• Used to connect computers onto Ethernet-based LAN (Local Area Network)• RJ45: 8P8C = 8 Position 8 Contact• Minimum back box depth - 25mm