

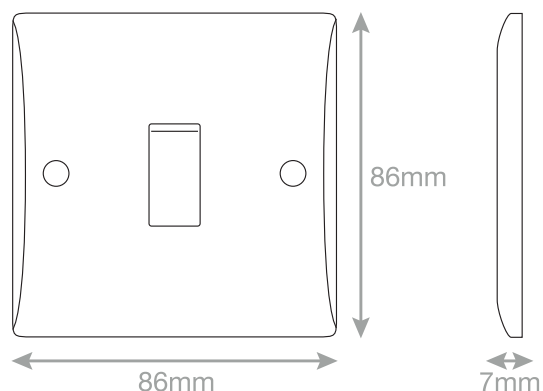
Data Sheet : SSL501



Intertek



Electrical & Lighting Products



Code	SSL501
Description	10 amp plate switch - 1 gang 2 way X-Rated
Size	86mm x 86mm (1 gang)
Range	Selectric Smooth
Colour	White
Material	Bakelite
Included	M3.5 fixing screws & white blanking caps
Weight	0.07kg
Inner Carton Quantity	10
Inner Carton Weight	0.7kg
Guarantee	30 years
Barcode	5025117986011
Commodity Code	85369085
Standards	BS EN 60669-1
Notes	<ul style="list-style-type: none">• All 10 amp plate switch modules are interchangeable with any plate product within the Smooth range• ASTA Approved• Minimum back box depth - 16mm