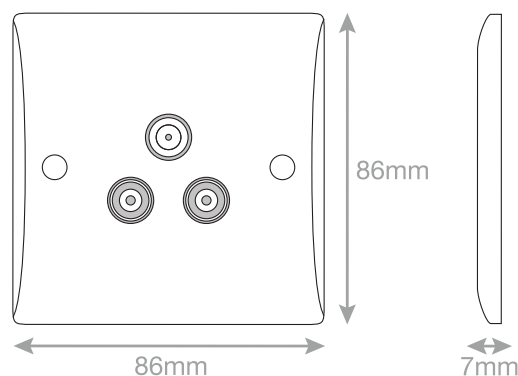


Data Sheet : SSL539



Code	SSL539
Description	1 Gang F-Type Satellite + 2 Gang TV/FM Coaxial/Aerial Sockets - Isolated
Size	86mm x 86mm (1 gang)
Range	Selectric Smooth
Colour	White
Material	Bakelite
Included	M3.5 fixing screws & white blanking caps
Weight	0.08kg
Inner Carton Quantity	10
Inner Carton Weight	0.8kg
Guarantee	30 years
Barcode	5025117986394
Commodity Code	85369085
Standards	BS 3041-7
Notes	<ul style="list-style-type: none"> • An isolated socket lets the signal through from the aerial/satellite dish but does not allow any kind of return signal/current. The isolated socket blocks interference from receivers (televisions, digital boxes, satellite boxes) which spoils the signal • Suitable for use with VHF/UHF & Cable TV signals • Minimum back box depth - 25mm