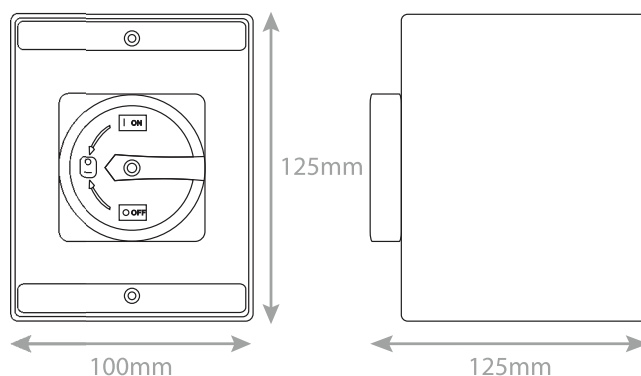


Data Sheet : SSRI-16A



Code	SSRI-16A
Description	16 Amp 8kW Weatherproof Rotary Isolator Switch - IP65 Rated
Size	100mm (W) x 125mm (H) x 125mm (D)
Range	Selectric Seal - IP65 to IP68 Rated Power & Cable Management
Colour	Grey, yellow & red
IP Rating: IP65	Protected against dust that may harm equipment Protected against water spray from all directions
Included	Instructions
Weight	0.45kg
Inner Carton Quantity	1
Barcode	5025117987148
Standards	BS EN 60947-3
Notes	<ul style="list-style-type: none"> • 16 Amp - 8kW • Heavy Duty & Weatherproof • Lockable in OFF position • 4 Pole - 415V • Wall mountable - Hole dimensions: 80 x 115mm • 4 x knock-out cable entries - 2 top + 2 bottom (20mm or 25mm)