

UNIVERSAL 5 RING CABLE MANAGEMENT RAIL 1U METAL

DESCRIPTION

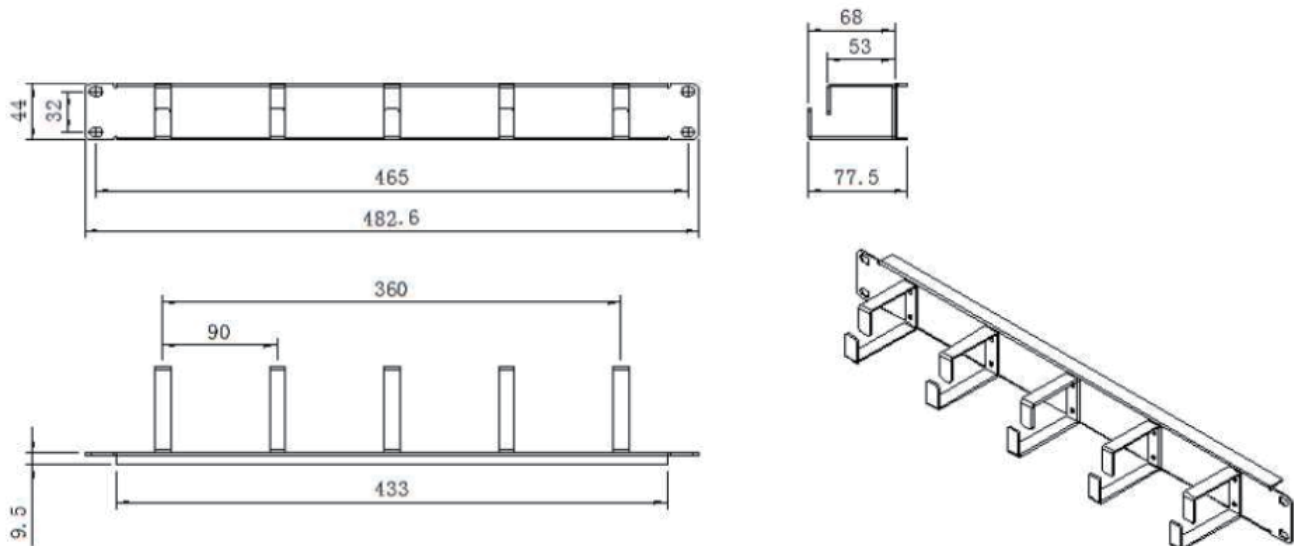
The SHARKRACK 5 Ring Cable Management Rail is designed to mount in a single Rack unit spacing and provide a sturdy and robust cable management solution across all ranges of Cabinets and Racks.



SPECIFICATIONS

- 5 Metal Cable Management Rings.
- Matte Black Powder coat finish.
- Designed to be Rack Mounted and fit within a standard 1U Space(1.75 inches).

DIMENSIONS



CONFIGURATIONS

PART NUMBER	DESCRIPTION
DCMHCM02	SharkRack Universal 5 Ring Cable Management Rail 1U Metal

