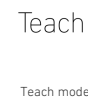
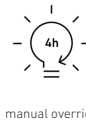
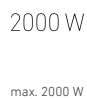


# IS 3360

COM1 - surface, rd. white  
 EAN 4007841 033446  
 Article number 033446



## Function description

Higher, further, faster. Infrared presence detector IS 3360 for indoors and out, ideal for watching over high spaces and large areas, such as multi-storey and underground car parks, installation height up to 4 m, 360° angle of coverage, reach 20 m max. (tangential), large terminal compartment for easy installation, heavy-duty relay for high switching capacity. Available either in round or square surface-mounted, concealed or In-ceiling installation.

## Technical specifications

Dimensions (Ø x H)	126 x 65 mm
With motion detector	Yes
Manufacturer's Warranty	5 years
Settings via	Remote control, Potentiometers, Smart Remote
With remote control	No
Version	COM1 - surface, rd. white
PU1, EAN	4007841033446
Type	Motion and Presence Detector
Application, place	Outdoors, Indoors
Application, room	production facilities, recreation room, changing room, function room / ancillary room, sports hall, reception / lobby, stairwell, WC / washroom, multi-storey / underground car park, outdoors, warehouse, Indoors
Colour	white
Colour, RAL	9003

LED lamps > 8 W	600 W
Capacitive load in µF	176 µF
Technology, sensors	passive infrared, Light sensor
Mounting height	2,50 – 4,00 m
Mounting height max.	4,00 m
Optimum mounting height	2,8 m
Detection angle	360 °
Angle of aperture	180 °
Sneak-by guard	Yes
Capability of masking out individual segments	Yes
Electronic scalability	No
Mechanical scalability	No
Reach, radial	Ø 8 m (50 m <sup>2</sup> )
Reach, tangential	Ø 40 m (1257 m <sup>2</sup> )
Reach, presence	Ø 3 m (7 m <sup>2</sup> )
Switching zones	1416 switching zones

# IS 3360

COM1 - surface, rd. white  
 EAN 4007841 033446  
 Article number 033446



## Technical specifications

Includes corner wall mount	No
Installation site	ceiling
Installation	Surface wiring, Ceiling
IP-rating	IP54
Ambient temperature	from -20 up to 50 °C
Material	Plastic
Mains power supply	220 – 240 V / 50 – 60 Hz
Switching output 1, resistive	2000 W
Switching output 1, number of LEDs / fluorescent lamps	8 pcs.
Fluorescent lamps, electronic ballast	1500 W
Fluorescent lamps, uncorrected	1000 VA
Fluorescent lamps, series-corrected	400 VA
Fluorescent lamps, parallel-corrected	400 VA
Switching output 1, low-voltage halogen lamps	2000 VA
LED lamps < 2 W	100 W
LED lamps > 2 W < 8 W	300 W

Functions	Normal / test mode, Manual ON / ON-OFF
Twilight setting	2 – 1000 lx
Time setting	5 s – 15 Min.
Basic light level function	No
Main light adjustable	No
Twilight setting TEACH	Yes
Constant-lighting control	No
Interconnection	Yes
Type of interconnection	Master/master
Interconnection via	Cable
Interconnection, number	max. 10 sensors
Product category	Presence detector

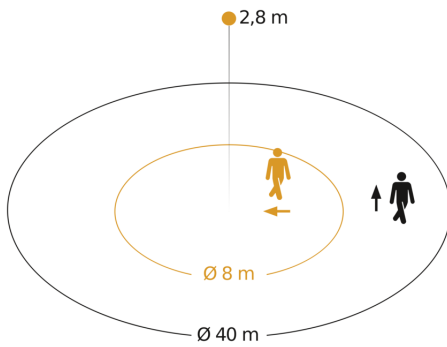
## Accessories

EAN 4007841 009151	Remote control Smart Remote
EAN 4007841 559410	Service remote control RC8
EAN 4007841 056735	Black cover for IR-sensors

# IS 3360

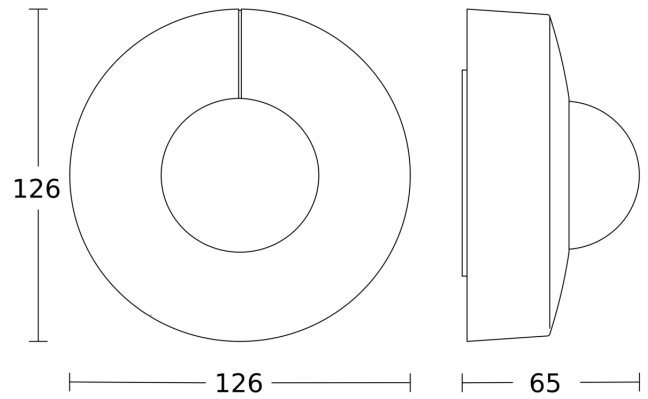
COM1 - surface, rd. white  
EAN 4007841 033446  
Article number 033446

## Detection Zone

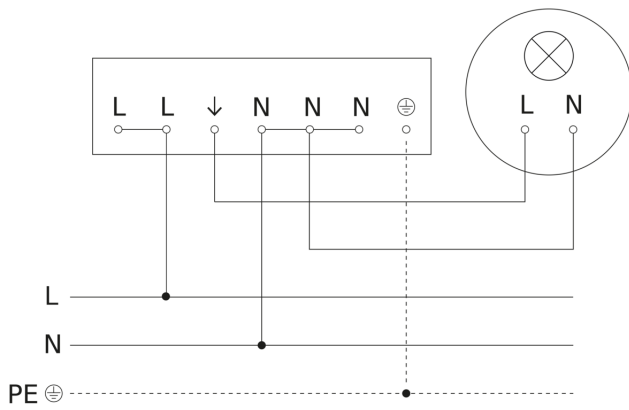


Possible mounting height: 2,50 m – 4,00 m  
Orange: radial  
Black: tangential

## Dimension Drawing



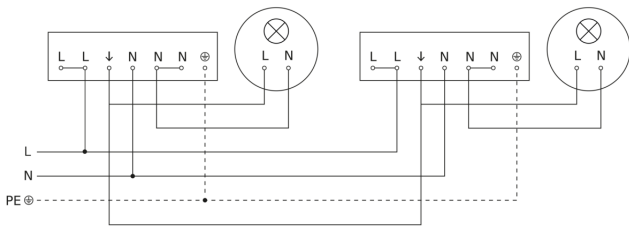
## Circuit diagram



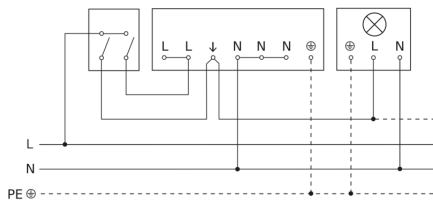
# IS 3360

COM1 - surface, rd. white  
EAN 4007841 033446  
Article number 033446

## Circuit diagram for interconnecting several sensors



## Connection using two-circuit switch for manual and automatic operation



## Circuit diagram Connection via a changeover switch for continuous and automatic operation

