

Motion detector - Professional Line

IS 2180 ECO

black

EAN 4007841 034702

Article number 034702



infrared sensor
180°



max. 12 m

2000 W

2000 W max.
(LED-ready)



IP54



Ideal 2 m



2 - 2000 lux



10 sec - 15 min



energy saving



CE

5 years

manufacturer's
warranty
[steinel-professional.de/garantie](https://www.steinel.de/garantie)

Function description

Attractive, clever, efficient. Infrared motion detector IS 2180 ECO for outdoors, ideal for building fronts and properties, medium-sized business and outdoor spaces, ideal installation height 2 m, 180° angle of coverage, reach. 12 m max. or 5 m max. (tangential), selectable time and twilight threshold, manual override, for mounting on outside and inside corners.

IS 2180 ECO

black
 EAN 4007841 034702
 Article number 034702



Technical specifications

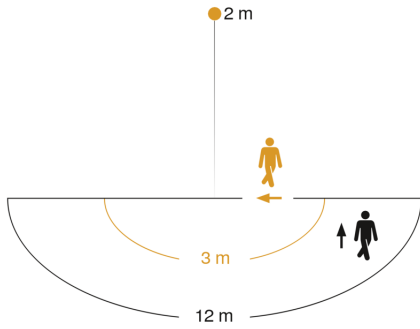
Dimensions (L x W x H)	55 x 78 x 120 mm
Manufacturer's Warranty	5 years
Settings via	Potentiometers
With remote control	Nein
Version	black
PU1, EAN	4007841034702
Type	Motion detectors
Application, place	Outdoors
Application, room	outdoors, front door, all round the building, terrace / balcony, courtyard & driveway
Colour	black
Colour, RAL	9005
Includes corner wall mount	No
Installation site	wall, corner
Installation	Surface wiring, Wall, corner
IP-rating	IP54
Ambient temperature	-20 – 50 °C
Material	Plastic
Mains power supply	230 – 240 V / 50 Hz
Switching output 1, resistive	2000 W
Switching output 1, number of LEDs / fluorescent lamps	6 pcs.
Fluorescent lamps, electronic ballast	1000 W
Fluorescent lamps, uncorrected	500 VA
Fluorescent lamps, series-corrected	406 VA
Fluorescent lamps, parallel-corrected	406 VA
Switching output 1, low-voltage halogen lamps	1000 VA
LED lamps	16 W

LED lamps > 2 W	64 W
LED lamps > 8 W	64 W
Capacitive load in µF	132 µF
Sensor Technology	Passive infrared
Mounting height	1,80 – 4,00 m
Mounting height max.	4,00 m
Optimum mounting height	2 m
Detection angle	180 °
Angle of aperture	90 °
Sneak-by guard	Yes
Capability of masking out individual segments	Yes
Electronic scalability	No
Mechanical scalability	No
Reach, radial	r = 1.5 m (4 m ²) / r = 3 m (14 m ²)
Reach, tangential	r = 5 m (39 m ²) / r = 12 m (226 m ²)
Switching zones	504 switching zones
Twilight setting	2 – 2000 lx
Time setting	10 s – 15 Min.
Basic light level function	No
Main light adjustable	No
Twilight setting TEACH	No
Constant-lighting control	No
Interconnection	Yes
Type of interconnection	Master/master
Interconnection via	Cable

IS 2180 ECO

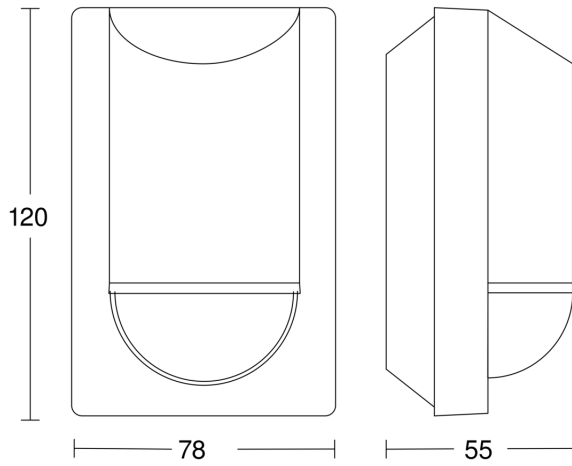
black
 EAN 4007841 034702
 Article number 034702

Detection Zone

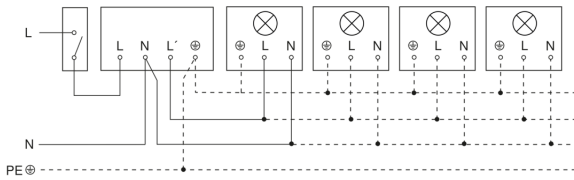


Mögliche Montagehöhe: 1,80 m – 4,00 m
 Orange: radial
 Schwarz: tangential

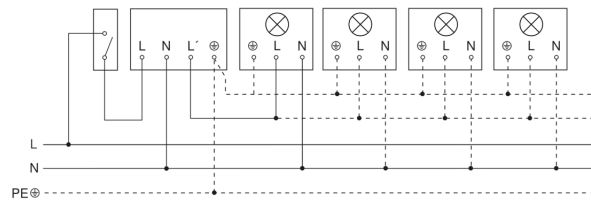
Dimension Drawing



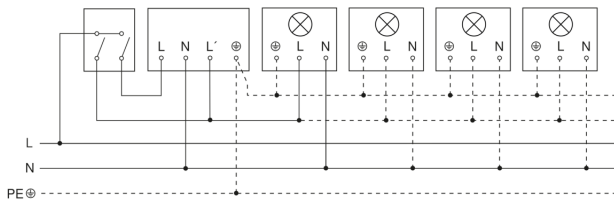
Light without neutral conductor



Light with neutral conductor



Connection using two-circuit switch for manual and automatic operation



Connection of 4-fold push-button coupler to DALI2 APC

