

Motion detector - Professional Line

IS 2360 DE ECO

white

EAN 4007841 034733

Article number 034733



infrared sensor
360°



max. 4 m

1000 W

1000 W max.
(LED-ready)



IP54



2 - 2000 lux



8 sec - 35 min



energy saving

5 years

manufacturer's
warranty
[steinel-professional.de/garantie](https://www.steinel.de/garantie)



CE

Function description

Intelligent technology for installation. Infrared wall sensor IS 2360 DE ECO, for indoors and out, ideal for installing in projecting roofs and suspended ceilings, 360° angle of coverage, reach can be set up to 8 m in diameter, selectable time and twilight threshold, detection zone can be customised with shrouds.

IS 2360 DE ECO

white

EAN 4007841 034733

Article number 034733



Technical specifications

Dimensions (Ø x H)	78 x 89 mm
With motion detector	Yes
Manufacturer's Warranty	5 years
Settings via	Potentiometers
With remote control	Nein
Version	white
PU1, EAN	4007841034733
Type	Motion detectors
Application, place	Outdoors, Indoors
Application, room	corridor / aisle, changing room, function room / ancillary room, kitchenette, stairwell, WC / washroom, outdoors, front door, all round the building, terrace / balcony, Indoors
Colour	white
Colour, RAL	9010
Includes corner wall mount	No
Installation site	ceiling
Installation	In-ceiling installation, Ceiling
IP-rating	IP54
Protection class	II
Ambient temperature	-20 – 40 °C
Material	Plastic
Mains power supply	220 – 240 V / 50 – 60 Hz
Switching output 1, number of LEDs / fluorescent lamps	6 pcs.
Fluorescent lamps, electronic ballast	430 W
Fluorescent lamps, uncorrected	500 VA
Fluorescent lamps, series-corrected	406 VA
Fluorescent lamps, parallel-corrected	406 VA
Switching output 1, low-voltage halogen lamps	1000 VA

LED lamps	16 W
LED lamps > 2 W	64 W
LED lamps > 8 W	64 W
Capacitive load in µF	132 µF
Sensor Technology	Passive infrared
Mounting height	2,2 – 4 m
Mounting height max.	4,00 m
Optimum mounting height	2,5 m
Detection angle	360 °
Angle of aperture	180 °
Sneak-by guard	Yes
Capability of masking out individual segments	Yes
Electronic scalability	No
Mechanical scalability	No
Reach, radial	Ø 4 m (13 m ²)
Reach, tangential	Ø 8 m (50 m ²)
Cover material	shrouds
Twilight setting	2 – 2000 lx
Time setting	8 s – 35 Min.
Basic light level function	No
Main light adjustable	No
Twilight setting TEACH	No
Constant-lighting control	No
Interconnection	Yes
Type of interconnection	Master/master
Interconnection via	Cable

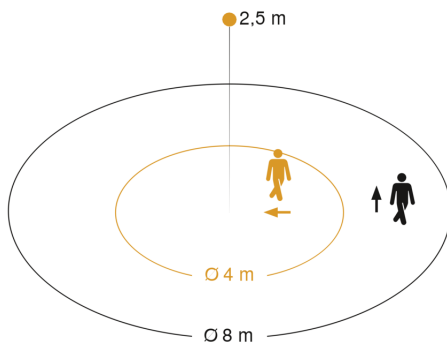
IS 2360 DE ECO

white

EAN 4007841 034733

Article number 034733

Detection Zone

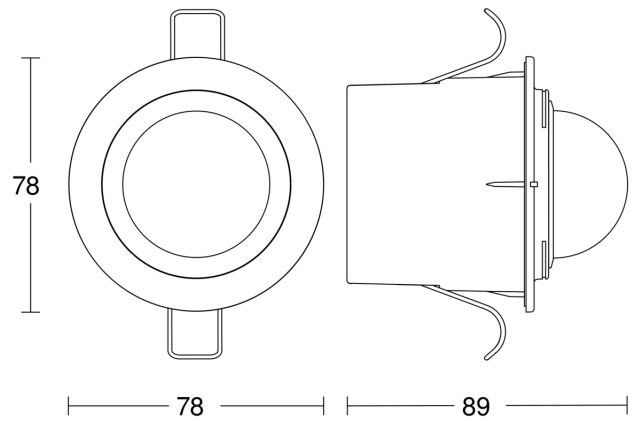


Mögliche Montagehöhe: 2,20 m – 4,00 m

Orange: radial

Schwarz: tangential

Dimension Drawing



Circuit diagram

