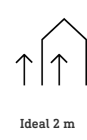
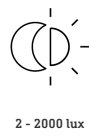
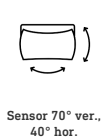


IS 2160 ECO

white
 EAN 4007841 606015
 Article number 606015



5 years

manufacturer's warranty steinel-professional.de/garantie

Function description

This one sees everything. Infrared motion detector IS 2160 ECO for indoors and out, ideal for entrances and the smaller-size property, ideal installation height 2 m, 160° angle of coverage, max. reach 12 m (tangential), selectable time and twilight threshold, turns through 40° and tilts through 70°.

Technical specifications

Dimensions (L x W x H)	73 x 78 x 113 mm	LED lamps > 2 W < 8 W	64 W
Manufacturer's Warranty	5 years	LED lamps > 8 W	64 W
Settings via	Potentiometers	Capacitive load in µF	88 µF
With remote control	No	Sensor Technology	Passive infrared
Version	white	Mounting height	1,80 – 3,00 m
PU1, EAN	4007841606015	Mounting height max.	3,00 m
Type	Motion detectors	Optimum mounting height	2 m
Application, place	Outdoors, Indoors	Detection angle	160 °
Application, room	outdoors, front door, all round the building, terrace / balcony, courtyard & driveway	Angle of aperture	40 °
Colour	white	Sneak-by guard	No
Colour, RAL	9010	Capability of masking out individual segments	Yes
Includes corner wall mount	No	Electronic scalability	No
Installation site	wall	Mechanical scalability	No
Installation	Surface wiring, Wall	Reach, radial	r = 3 m (13 m ²)
IP-rating	IP54	Reach, tangential	r = 12 m (201 m ²)
Ambient temperature	-20 – +50 °C	Switching zones	260 switching zones
		Twilight setting	2 – 2000 lx

IS 2160 ECO

white
EAN 4007841 606015
Article number 606015



Technical specifications

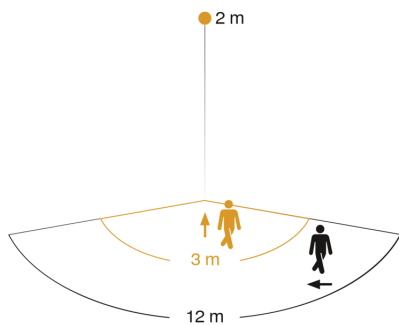
Material	Plastic
Mains power supply	230 – 240 V / 50 Hz
Switching output 1, resistive	600 W
Switching output 1, number of LEDs / fluorescent lamps	4 pcs.
Fluorescent lamps, electronic ballast	430 W
Fluorescent lamps, uncorrected	500 VA
Fluorescent lamps, series-corrected	406 VA
Fluorescent lamps, parallel-corrected	406 VA
Switching output 1, low-voltage halogen lamps	500 VA
LED lamps < 2 W	16 W

Time setting	8 s – 35 Min.
Basic light level function	No
Main light adjustable	No
Twilight setting TEACH	No
Constant-lighting control	No
Interconnection	Yes
Type of interconnection	Master/master
Interconnection via	Cable

IS 2160 ECO

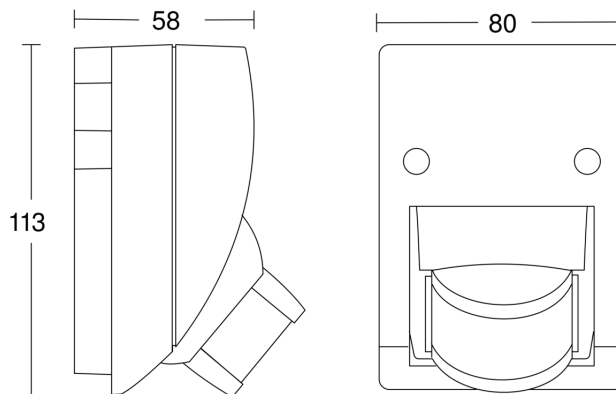
white
EAN 4007841 606015
Article number 606015

Detection Zone



Mögliche Montagehöhe: 1,80 m – 3,00 m
Orange: radial
Schwarz: tangential

Dimension Drawing



Circuit diagram

