

Motion detector

IS 140-2

white

EAN 4007841 608910

Article number 608910



infrared sensor
140°



max. 14 m

1000 W

1000 W max.
(LED-ready)



IP54



Sensor 90° ver.,
180° hor.



2 - 2000 lux



8 sec - 35 min



Ideal 2 m



energy saving

3 years

manufacturer's
warranty
[steinell.de/garantie3y](https://www.steinell.de/garantie3y)

Function description

The classic detector, now with even more class. Infrared motion detector IS 140-2, for indoors and out, ideal for targeted detection close to the building, 140° angle of coverage, reach up to 14 m, selectable time and twilight threshold, sensor turns through 180° and tilts through 90° for exact adjustment of the detection zone.

Motion detector

IS 140-2

white

EAN 4007841 608910

Article number 608910



Technical specifications

Dimensions (L x W x H)	99 x 86 x 82 mm	LED lamps	16 W
Manufacturer's Warranty	3 years	LED lamps > 2 W	64 W
Settings via	Potentiometers	LED lamps > 8 W	64 W
With remote control	Nein	Capacitive load in μF	88 μF
Version	white	Sensor Technology	Passive infrared
PU1, EAN	4007841608910	Mounting height	1,80 – 3,00 m
Type	Motion detectors	Mounting height max.	3,00 m
Application, place	Outdoors, Indoors	Optimum mounting height	2 m
Application, room	outdoors, front door, all round the building, terrace / balcony, courtyard & driveway	Detection angle	140 °
Colour	white	Angle of aperture	40 °
Colour, RAL	9010	Sneak-by guard	Yes
Includes corner wall mount	No	Capability of masking out individual segments	Yes
Installation site	wall	Electronic scalability	No
Installation	Surface wiring, Wall	Mechanical scalability	No
IP-rating	IP54	Reach, radial	$r = 3 \text{ m}$ (11 m^2)
Protection class	II	Reach, tangential	$r = 14 \text{ m}$ (239 m^2)
Ambient temperature	-20 – 50 °C	Switching zones	144 switching zones
Material	Plastic	Twilight setting	2 – 2000 lx
Mains power supply	230 – 240 V / 50 Hz	Time setting	8 s – 35 Min.
Switching output 1, resistive	1000 W	Basic light level function	No
Switching output 1, number of LEDs / fluorescent lamps	6 pcs.	Main light adjustable	No
Fluorescent lamps, electronic ballast 430 W		Twilight setting TEACH	No
Fluorescent lamps, uncorrected	500 VA	Constant-lighting control	No
Fluorescent lamps, series-corrected	500 VA	Interconnection	Yes
Fluorescent lamps, parallel-corrected	500 VA	Type of interconnection	Master/master
Switching output 1, low-voltage halogen lamps	1000 VA	Interconnection via	Cable

Accessories

EAN 4007841 631765	Corner wall mount 07
EAN 4007841 631864	Corner wall mount 07

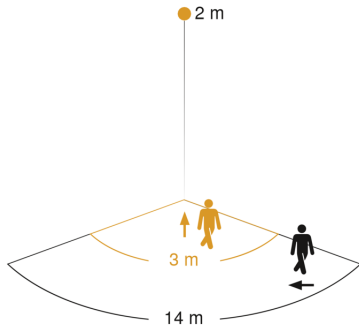
Motion detector

IS 140-2

white
EAN 4007841 608910
Article number 608910

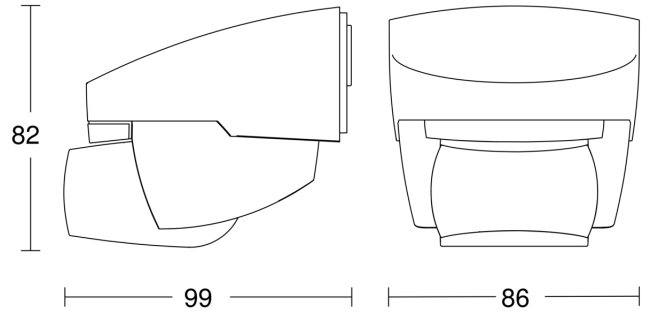


Detection Zone

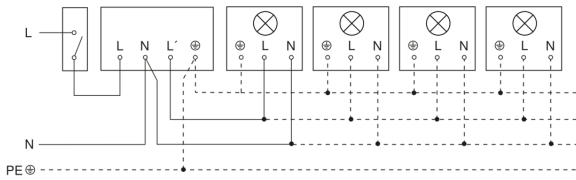


Mögliche Montagehöhe: 1,80 m – 3,00 m
Orange: radial
Schwarz: tangential

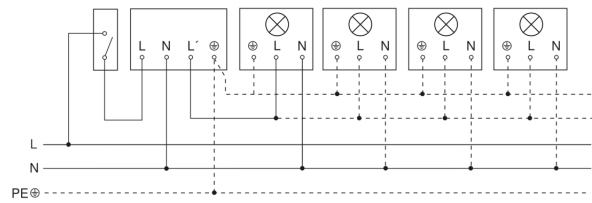
Dimension Drawing



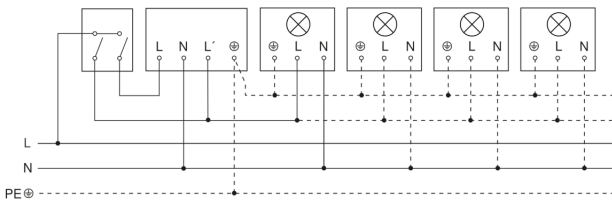
Light without neutral conductor



Light with neutral conductor



Connection using two-circuit switch for manual and automatic operation



Connection of 4-fold push-button coupler to DALI2 APC

