



## Product Data Sheet - A2F Hazardous Area Brass Cable Gland

### Product description:

Dual certified flameproof Ex d and Increased Safety Ex e gland for unarmoured cable, which is approved for use in Zone 1, Zone 2, Zone 21, and Zone 22 hazardous areas

### Features:

- Flameproof seal on the cable outer sheath
- Suitable for both indoor and outdoor applications
- Wide temperature rating

### Technical details:

Design	
Gland body material	Brass - BS 2874 CZ114 / IS 319 gr.1
Sealing material	EPDM rubber
Ingress Protection	IP6,7 as per EN 60529
Operating Temperature	-60°C to +125°C
Applications	Suitable for use in Zone 1, Zone 2, Zone 21, and Zone 22
Approvals	
Protection class	II 2 GD, Ex db IIC Gb / Ex e IIC Gb -60°C to +125°C, Ex tb IIIC -60°C to +125°C Db IP67
ATEX Certificate No	TI21ATEX1119X
Construction & Test standard	EN 60079-0, EN 60079-1 and EN 60079-31

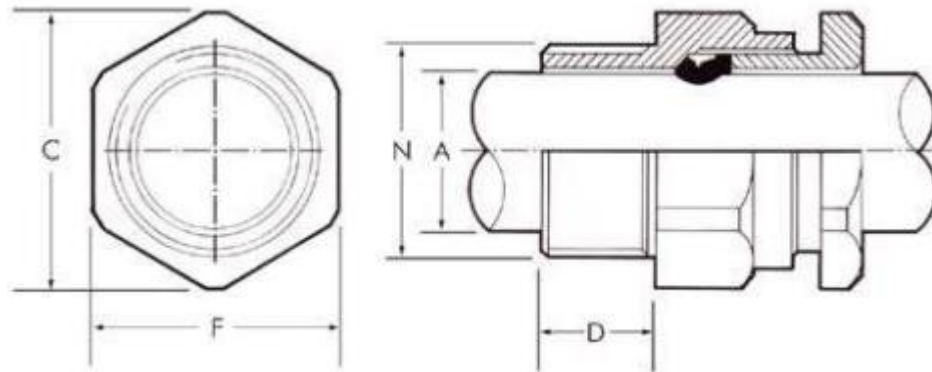
\*Gland must be used as part of a certified assembly in surface installations only

\*Gland may not be used on a group IIC Ex d Enclosure that is larger than 2000cc volume





Part numbers	EAN	Entry Threads	Length D	Cable Acceptance Diameter		Hexagonal Details	
				Minimum A	Maximum A	A/C C	A/F F
A2F/20S PACK	5050291047463	M20X1.5	15	6.1	11.6	25.0	28.0
A2F/20 PACK	5050291047470	M20X1.5	15	6.5	13.9	27.0	30.0
A2F/25 PACK	5050291048231	M25X1.5	15	11.1	19.9	36.0	40.0
A2F/32 PACK	5050291053754	M32X1.5	15	17.0	26.2	45.0	50.0
A2F/40 PACK	5050291053778	M40X1.5	15	22.0	32.1	53.0	59.0
A2F/50 PACK	5050291028523	M50X1.5	20	35.6	44.0	68.0	75.0



Pack contains: Gland(s), brass locknut(s), and shroud(s)