

# Cable glands & accessories

## Hazardous Area Cable Glands

### E1FW-RC Premier Range (Reversible Cone)

#### HAZARDOUS AREAS

**Application:** Dual certified flameproof Ex d and Increased Safety Ex e indoor and outdoor cable gland for use in Zone 1, Zone 2, Zone 21 and Zone 22 hazardous areas with all types of circular armoured cable, braided SY cables and steel tape armoured cables providing a flameproof seal on the cable outer sheath.

Gland features reversible cone to suit all applications.

Gland must be used as part of a certified assembly in surface installations only. Gland may not be used on a group IIC Ex d Enclosure that is larger than 2000cc volume.



**Certification:** Group II, Category-2 (zone 1) gas group IIC confirm to EBN 60079-0:2009 & EN 60079-1:2007.

Electrical Apparatus for use in dust Zone 21 & 22 as per EN 60079-31:2009.

**Degree of protection:** IP67 as per EN 60529:1991

**Material:** Material of construction of cable gland is BRASS/SS304/SS316/MS

**Brass:** BS 2874 CZ121 / IS 319 gr.1 / SS: ASTM A314 gr. 304/304

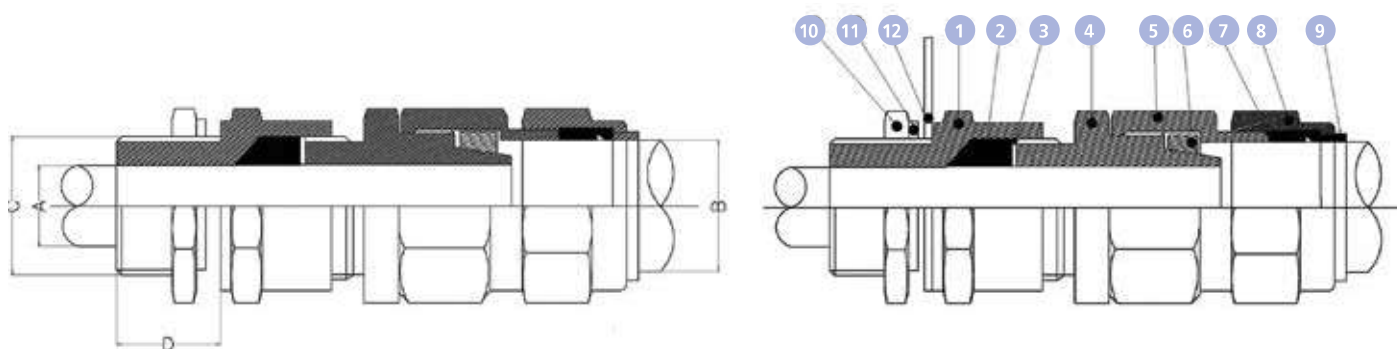
**Threads:** Isometric (ISO) ISO:965 - 1 & 965 - 3, BS:3643

**Operating temp:** The cable sealing washer (elastomeric sealing ring) used and is suitable for operating temperature -20°C to +100°C

**Note:** The cable glands are suitable for SWA (Steel Wire Armoured), steel tape armoured and braid wire cable.

'W' refer to the wire diameter in a steel tape armoured cable.

'XYZ'- refer to the wire diameter in a steel tape armoured cable or braid wire cable.



1	Gland Body	Brass
2	Inner Sealing	NBR
3	Inner Washer	Brass
4	Ring Body	Brass

5	Body	Brass
6	Armoured Ring	Brass
7	Outer Sealing	NBR
8	Cable Nut	Brass

9	Protection Tube	Nylon
10	Lock Nut	Brass
11	Thread Seals	Nylon
12	Earth Tag	Brass

Part No.	Pack Quantity	Entry Thread			Cable Dimensions		Armour Acceptance Range	
		Metric (ISO)	Metric (ISO)	ET	Diameter A min max	Diameter B min max	W	XYZ
<b>E1FW20S PACK-RC</b>	2	M20	15	16.5	6.1 - 11.6	9.5 - 15.9	0.90/1.25	0.15/0.35
<b>E1FW20 PACK-RC</b>	2	M20	15	16.5	6.5 - 13.9	12.5 - 20.9	0.90/1.25	0.15/0.50
<b>E1FW25 PACK-RC</b>	2	M25	15	16.5	11.1 - 19.9	17.0 - 26.2	1.25/1.60	0.15/0.50
<b>E1FW32 PACK-RC</b>	2	M32	15	16.5	17.0 - 26.2	22.9 - 33.9	1.60/2.00	0.15/0.55
<b>E1FW40 PACK-RC</b>	1	M40	15	16.5	22.0 - 32.1	26.0 - 40.1	1.60/2.00	0.2/0.6
<b>E1FW50 PACK-RC</b>	1	M50	20	20	35.6 - 44.0	38.0 - 53.1	2.00/2.50	0.3/0.8
<b>E1FW63 PACK-RC</b>	1	M63	20	20	47.2 - 55.9	54.6 - 65.7	2.50	0.3/0.8
<b>E1FW75 PACK-RC</b>	1	M75	20	20	59.1 - 67.9	60.9 - 78.5	2.50	0.3/1.0

All dimensions are in mm.

Pack content: Gland(s), brass locknut(s), earth tag(s), and shroud(s).