



TCW RANGE

60% QUICKER INSTALLATION

Complete with the Award Winning EarthingNut™

Innovative Power Product of the Year



Taurus™ CW Premier Range Brass Cable Gland Pack

4 Part Outdoor

Application: Brass indoor and outdoor gland suitable for all types of steel wire armoured cable (SWA), providing an environmental seal on the outer cable sheath. The gland also provides mechanical cable retention and electrical continuity via armour wire termination.

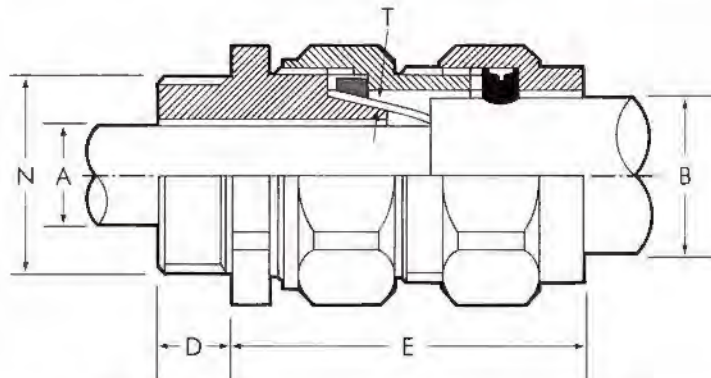
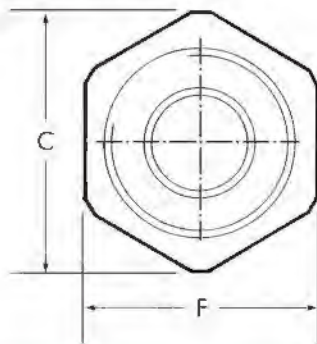
Operating Temperature (standard seals): -20°C to +80°C

Ingress Protection: IP66 EN60529



Approval: BS EN 62444 : 2013

Gland only available on request.



Part No.	Pack Quantity	Entry Thread		Cable Acceptance Details			Hexagonal Details		Assembled Length E
		Diameter N	Length D	Diameter A min max	Diameter B min max	Armour wire size T	A/F F	A/C C	
TCW20/16 PACK-EN	2	20	10	9.0	8.4 - 13.8	0.90	22.0	24.4	38.0
TCW20S PACK-EN	2	20	10	8.0 - 11.8	12.9 - 15.8	0.90/1.25	24.0	26.6	40.0
TCW20 PACK-EN	2	20	10	11.0 - 13.8	15.5 - 20.8	0.90/1.25	30.0	33.3	41.0
TCW25 PACK-EN	2	25	10	13.0 - 19.8	20.3 - 27.5	1.25/1.60	38.0	42.2	44.0
TCW32 PACK-EN	2	32	10	19.0 - 26.4	26.7 - 33.5	1.60/2.00	46.0	51.0	48.0
TCW40 PACK-EN	1	40	15	25.0 - 32.4	33.0 - 40.9	1.60/2.00	55.0	61.0	52.0
TCW50S PACK-EN	1	50	15	31.5 - 38.0	39.4 - 46.3	2.00/2.50	60.0	66.6	55.0
TCW50 PACK-EN	1	50	15	36.5 - 44.0	45.7 - 52.6	2.00/2.50	65.0	72.1	55.0
TCW63S PACK-EN	1	63	15	42.5 - 49.0	52.1 - 61.5	2.50	75.0	83.2	60.0
TCW63 PACK-EN	1	63	15	48.5 - 55.5	58.4 - 65.3	2.50	80.0	88.8	60.0
TCW75S PACK-EN	1	75	20	54.5 - 62.0	64.8 - 73.0	2.50	90.0	100.0	65.0
TCW75 PACK-EN	1	75	20	60.5 - 67.0	71.0 - 78.0	2.50	95.0	105.4	65.0
TCW90 PACK-EN	1	*90	20	66.0 - 79.0	77.0 - 90.0	2.50/3.15	110.0	122.1	70.0

All dimensions are in mm. *Not included in BS 6121

Pack content: Gland(s), shroud(s), EarthingNut™(s) and Crimp Connectors.

Packs are also available with Low-smoke LSF shroud or Low Smoke Zero-halogen LSZH shroud - Suffix above part numbers with either -LSF or -LSZH