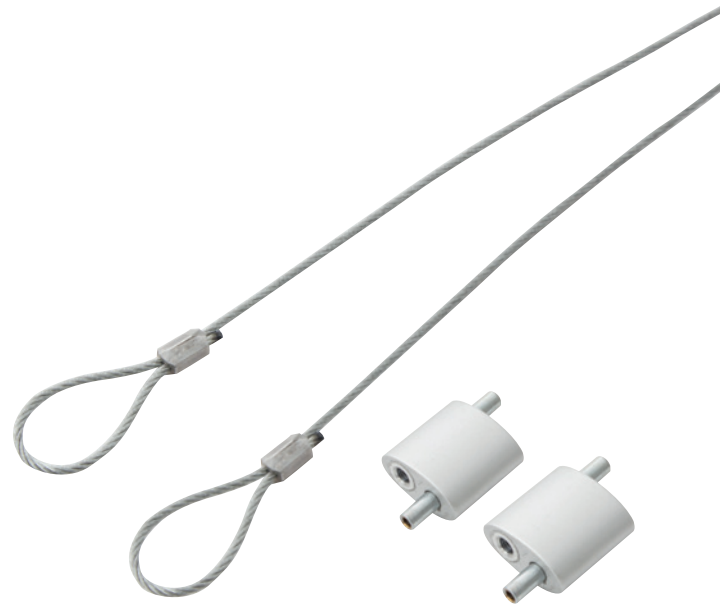


Contact Us

Sales Office

Unit 5,
Stafford Park 12,
Telford,
Shropshire, TF3 3BJ

T. 01952 736 500
E. tamco@tamlite.co.uk
W. tamlite.co.uk

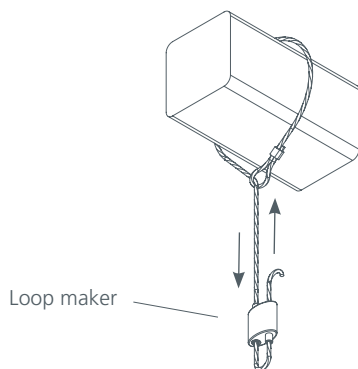


Lighting for
a Living

TSUSP/3M/LM

- > 2 x 3 metre cables with loop
- > 2 x loop makers

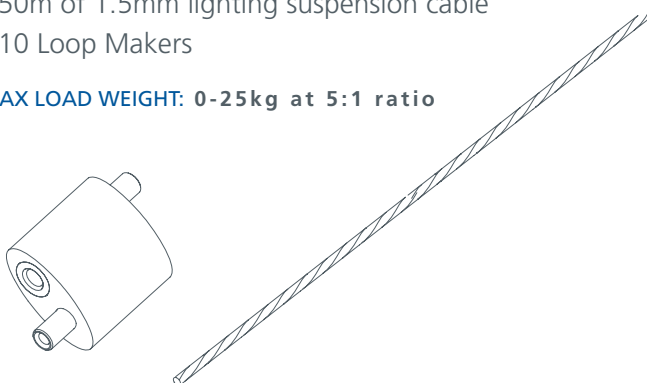
MIN-MAX LOAD WEIGHT: 0-25kg at 5:1 ratio



TSUSP/50MTR and TSUSP/LM10

- > 50m of 1.5mm lighting suspension cable
- > 10 Loop Makers

MIN-MAX LOAD WEIGHT: 0-25kg at 5:1 ratio



NOTES

- > All loop makers and clutches should be used with the 1.5mm of steel cable provided
- > The working load of the loop maker is 25kg
- > Safety factor 5:1
- > The working load of the clutch (WG004) is 17kg
- > The ceiling fixing must be installed correctly and by a qualified fitter into a reliable material to achieve the working load
- > Make sure to use a reliable and secure fixing for the object being suspended e.g. the nut provided with the WG004 clutch

WARNINGS

- > Not to be used outside
- > Make sure the wire has no defects before use
- > Use only for static loads
- > A minimum of two suspensions are recommended per item being suspended
- > Always remove or support the load before making any adjustments

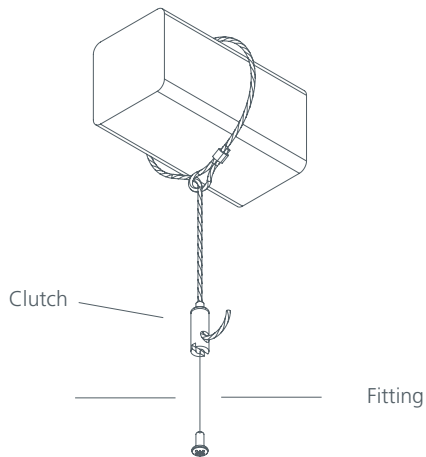
FITTING INSTRUCTIONS & INFORMATION

FAST WIRE
SUSPENSION KITS

TSUSP/3M/C

- > 2 x 3m cables with loop
- > 2 x WG004 clutch with screw

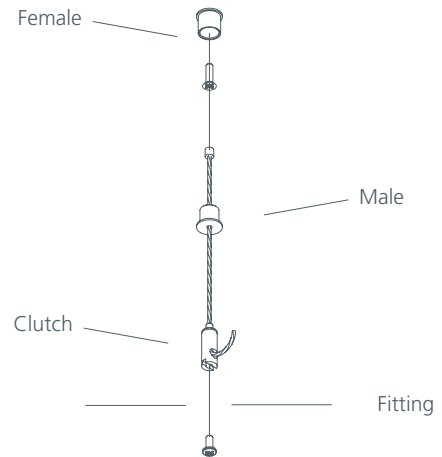
MIN-MAX LOAD WEIGHT: 0-17kg at 5:1 ratio



TSUSP/3M/B/C

- > 2 x 3m cables
- > 2 x M10 male to female boss
- > 2 x WG004 clutch with screw

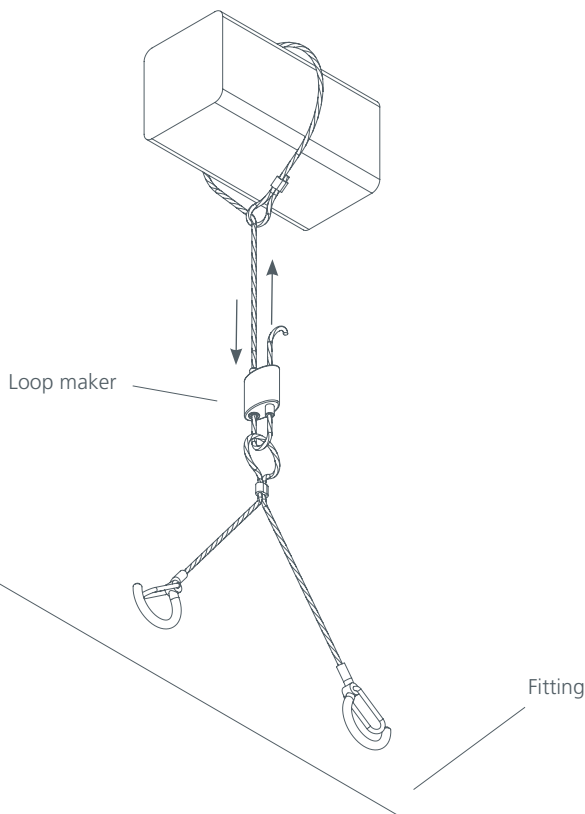
MIN-MAX LOAD WEIGHT: 0-17kg at 5:1 ratio



TSUSP/3M/LM/YH

- > 2 x 3m cables with loop
- > 2 x loop makers
- > 2 x 500mm Y cable with spring loaded hooks

MIN-MAX LOAD WEIGHT: 0-25kg at 5:1 ratio



TSUSP/3M/YTC

- > 2 x 3m cables with loop
- > 2 x 500mm Y cable with clutch and toggle ends

MIN-MAX LOAD WEIGHT: 0-17kg at 5:1 ratio

