



Product Code:	Issue Number:	Issue Date:	Issued By:
GTO42	1.0	01/11/2018	SC

Description:

100mm x 50mm Gusset Tee Outside Lid

Features:

Tamlex offer a range of gusset bends and tees which allow a greater bend radius for cables. Built-in couplers on all outlets allowing them to be fitted directly to the trunking. Manufactured from continuously hot dipped zinc coated low carbon steel strip to BSEN10346: 2009. Bridge pieces act as cable retainers.



Technical:

Height	50 mm
Width	100 mm
Length	150 mm
Material	1.0mm steel
Finish	Pre-Galvanised Steel
Trunking Type	Gusset Tee
Standard	BS EN 50085-1; BS EN 1034
IP Rating	N/A

Important:

Cable trunking is designed such that the main body carries the weight of cables. Trunking should NOT be installed in any way that causes the lid to carry the cable weight.

Multi-Compartment Options

Standard trunking and accessories are available in multi compartment options. Trunking and accessories are supplied with equal compartments as standard. For unequal compartments, details must be supplied at the time of order. 3 compartment is available in width code 3 and above.

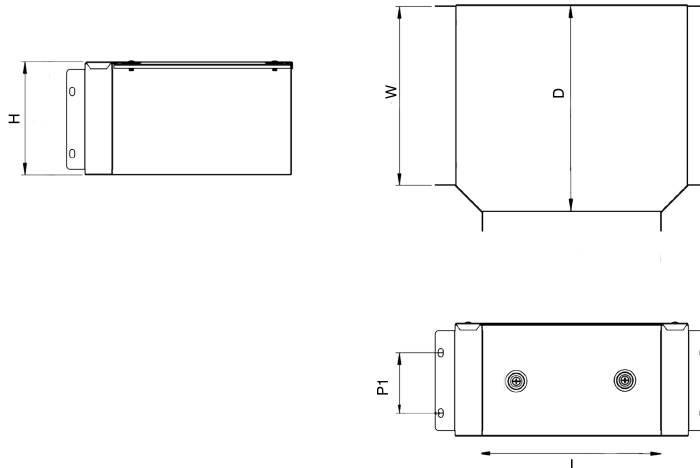
Weights:

1 Compartment	2 Compartment	3 Compartment
0.387kg	0.462kg	0.537kg

The approximate weights given are for pre-galvanised finish only, in kilograms (nominal) and subject to material thickness tolerance.

Dimensions: mm

H	52 mm
W	100 mm
D	125 mm
L	150 mm
P1	N/A Single Hole



Dimensions are identical for single and multi-compartment