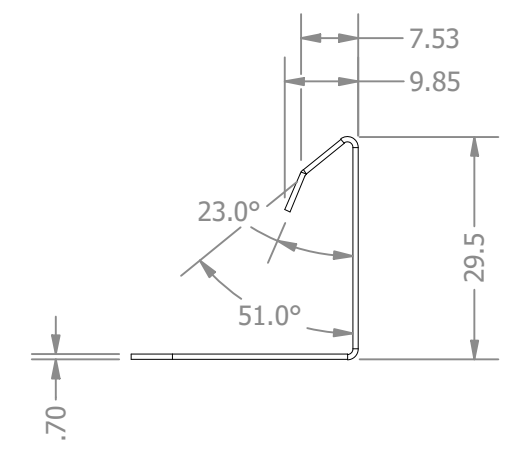
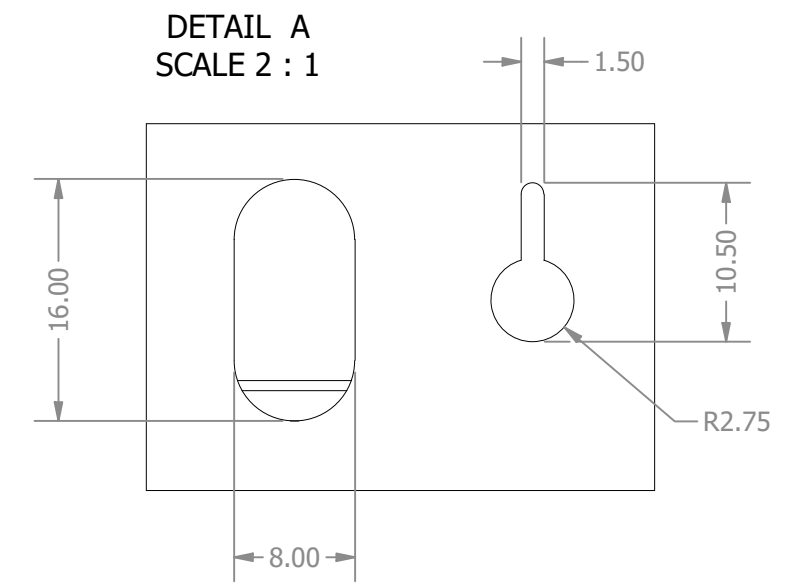
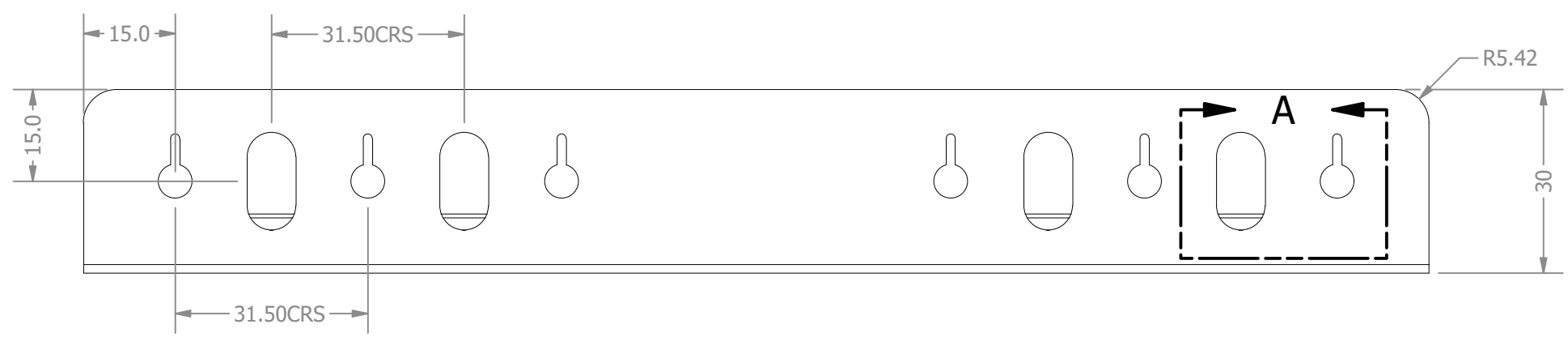


1 2 3 4 5 6 7 8

A

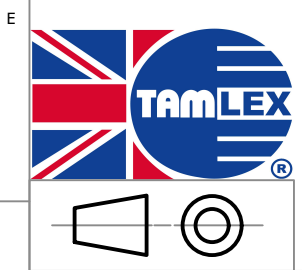
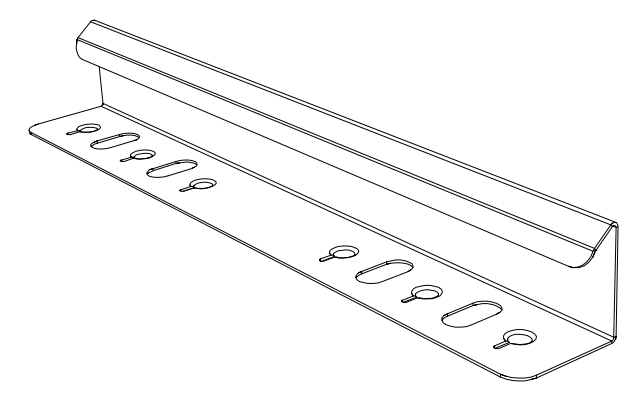
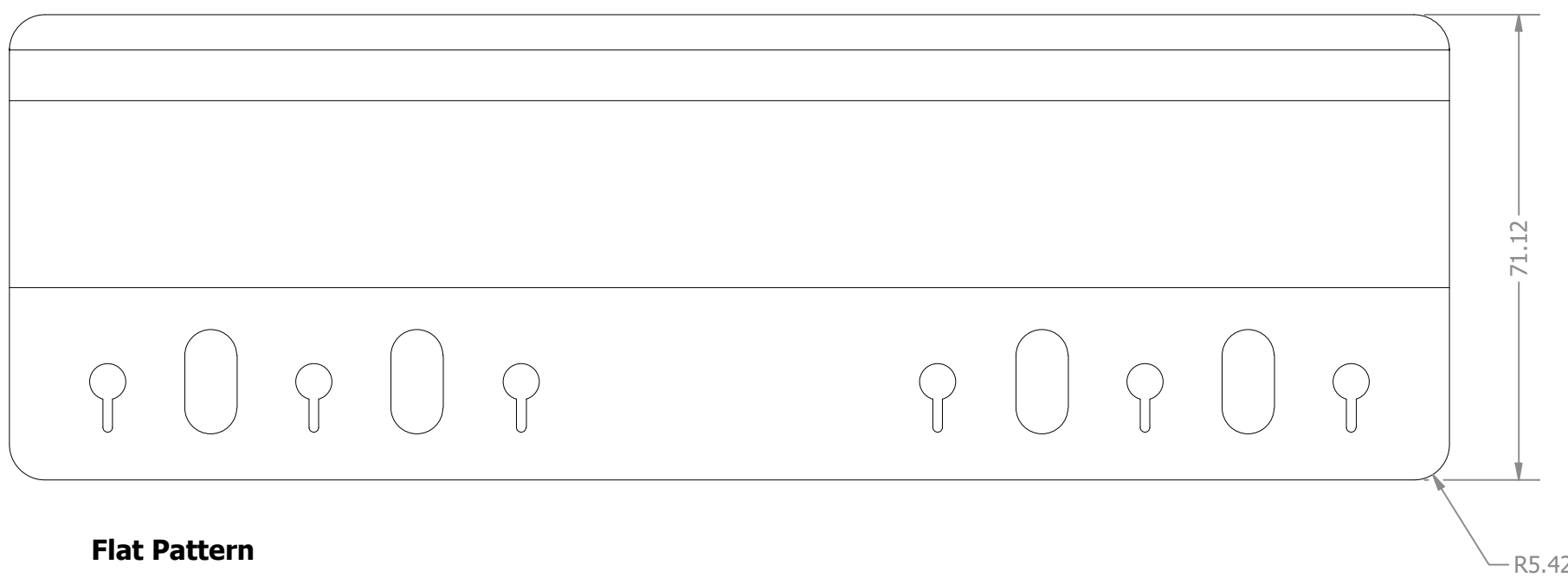


B



C

D



Flat Pattern

1ST ANGLE PROJ.	Scale: 1:1	TAMLEX - HARCOURT, HALESFIELD 15, TELFORD, SHROPSHIRE, TF7 4ER. TEL.: 01952 586689 - WWW.TAMLEX.CO.UK			DRG. No.	ISSUE	
Drawn: A.M.	Date: 30.09.19	DESCRIPTION: MEDIUM DUTY TRAY COUPLER			MDTC	C	
Checked:	Date:						
Approved:	Date:	Material: 0.7 mm Galv. Steel	Finish: Pre - galvanized steel				
ALL DIMENSIONS IN MILLIMETERS UNLESS STATED TOLERANCES UNLESS OTHERWISE STATED				X = ±1	X.X = ±0.30	X.XX = ±0.10	Library: Data/Tamlex L./Inventor/MDTC
Modification: Issue B: Material thickness changed from 1.00mm to 0.7mm - A.M. 28/10/2019							
Issue C: Hight changed from 30.00mm to 29.5mm - A.M. 13/10/2020							

1 2 3 4 5 6 7 8

F