



Product Code:

TS21P-3

Issue Date:

08/08/2023

Issue by:

SY

Description:

41mm x 21mm Plain Channel (3m Length)

Features:

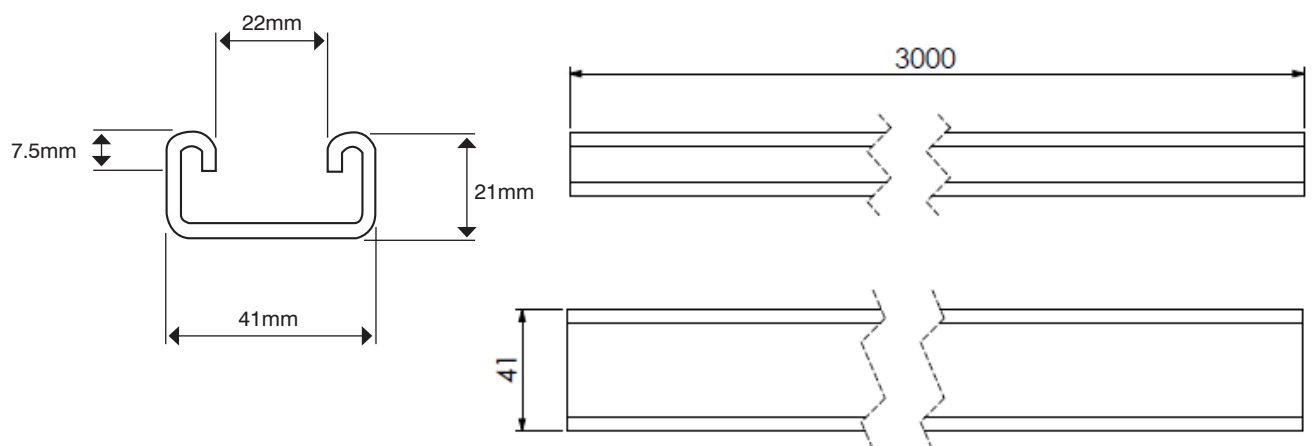
- Plain and Slotted channel available.
- Rigid construction for a wide variety of applications.
- Manufactured from structural grade continuously hot dipped zinc coated low Carbon Steel Strip to BSEN10346: 2009.
- Channel available in both structural grade 2.5mm and light duty 1.5mm gauge.
- Supplied in 3 metre lengths.
- Wide range of external brackets available for use with strut frame work.
- Tamlex strut framework can be ordered pre-cut to any length to suit customer requirements.
- Can be powder coated to customer specific RAL colour.



Technical:

Width	41 mm
Height	21 mm
Length	3 m
Gauge	2.5 mm
Material	Hot Dipped Zinc Coated Low carbon steel strip
Colour/Finish	Pre Galvanised Steel (Zinc Coated)
Standards	BS EN 10346; BS 6946 - 1988

Dimensions:





Product Code:

TS21P-3

Issue Date:

29/11/21

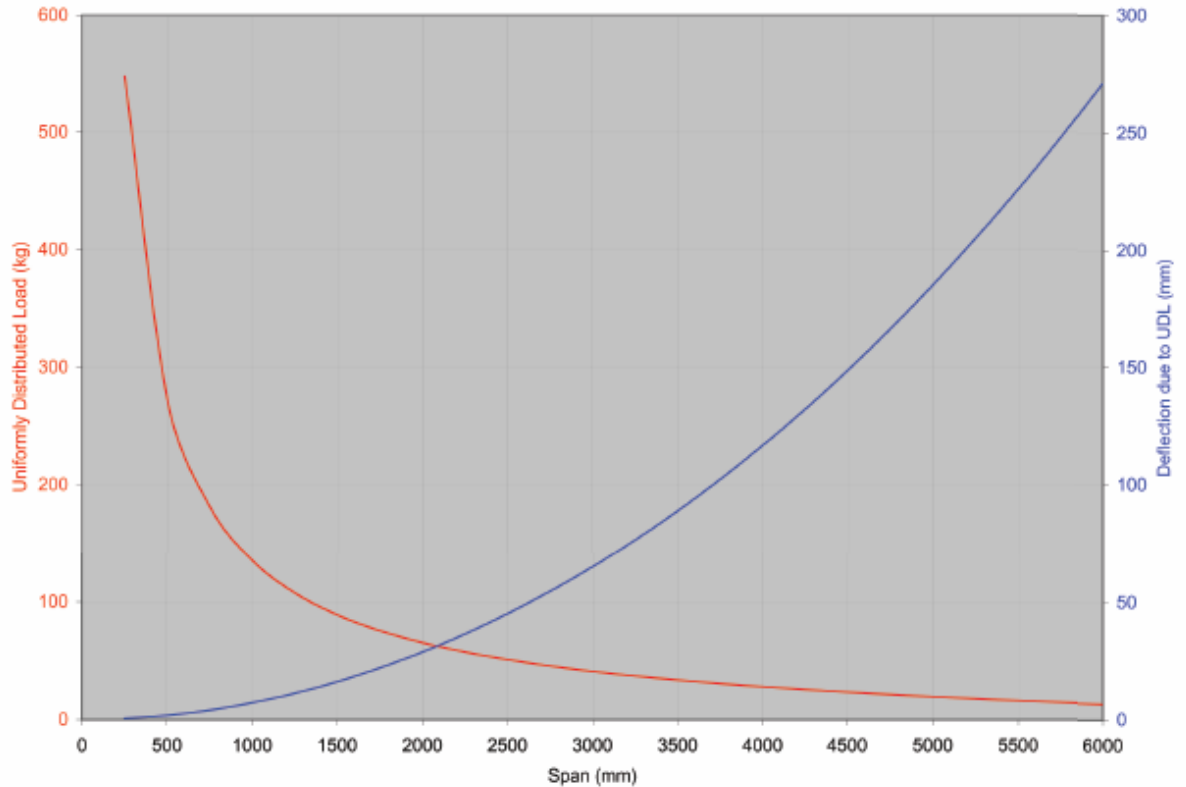
Issue by:

R.M.

Tamlex Data Sheet

Plain 41x21x2.5 thk. (Mass 1.81kg/m)

Beam Span (mm)	Ultimate Loading		Limit Def. Span/200		Limit Def. Span/360	
	Total Applied Load (kg)	Total Def. (mm)	Applied UDL (kg)	Total Def. (mm)	Applied UDL (kg)	Total Def. (mm)
250	547.3	0.4				
500	273.0	1.8			213.0	1.4
750	181.4	4.0	169.8	3.8	93.7	2.1
1000	135.3	7.1	94.5	5.0	51.7	2.8
1250	107.6	11.1	59.4	6.3	32.0	3.5
1500	88.9	16.1	40.1	7.5	21.1	4.2
1750	75.5	21.9	28.3	8.8	14.3	4.9
2000	65.3	28.6	20.4	10.0	9.8	5.6
2250	57.3	36.3	14.9	11.3	6.5	6.3
2500	50.8	44.9	10.9	12.5	4.0	6.9
2750	45.4	54.4	7.8	13.8	2.1	7.6
3000	40.9	64.9	5.3	15.0	0.5	8.3
3250	37.0	76.4	3.2	16.3		
3500	33.6	88.9	1.5	17.5		
3750	30.6	102.3	0.1	18.8		
4000	27.9	116.8				
4250	25.5	132.3				
4500	23.3	148.8				
4750	21.3	166.4				
5000	19.5	185.1				
5250	17.8	204.9				
5500	16.2	225.8				
5750	14.7	247.9				
6000	13.3	271.2				



Load, Span & Deflection Graph