



### Main

Range of product	Phaseo
Product or component type	Battery module
Input voltage	24 V DC
Output voltage	24 V DC
Maximum output current	40 A
Battery capacity	7 AH
Holding time	< 20 h at 0.35 A , 20 °C > 5 min at 18.2 A , 20 °C

### Complementary

Input voltage limits	21...29 V
Load current	0.7 A
Charging time	<= 72 s
Output protection type	Against overload and short-circuits , protection technology: 1 x 30 A automotive type fuse
Connections - terminals	Screw type terminals for input connection , connection capacity: 2 x 0.5...2 x 10 mm <sup>2</sup> AWG gauge20...8 Screw type terminals for output connection , connection capacity: 2 x 0.5...2 x 10 mm <sup>2</sup> AWG gauge20...8
Self-discharge rate	15 % , 6 months 3 % , 1 month 9 % , 3 months
Fixing mode	By 2 screws , screw(s) Ø = 5 mm on horizontal panel , operating position: horizontal By 4 screws , screw(s) Ø = 5 mm on vertical panel , operating position: vertical
Output coupling	Parallel
Service life in hours	11000 h at 40 °C 15000 h at 35 °C 22000 h at 30 °C 31000 h at 25 °C 44000 h at 20 °C 5000 h at 50 °C 7300 h at 45 °C
Product weight	6.5 kg

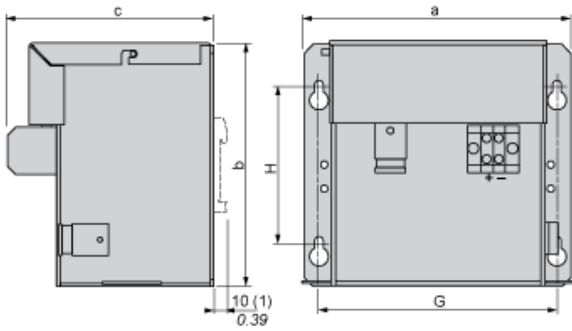
### Environment

IP degree of protection	IP10 conforming to EN/IEC 60529
Ambient air temperature for operation	0...40 °C
Ambient air temperature for storage	-20...50 °C
Class of protection against electric shock	Class III conforming to VDE 0106-1
Vibration resistance	3.5 mm (f = 3...11.9 Hz) conforming to EN/IEC 61131-2 2 gn (f = 11.9...150 Hz) conforming to EN/IEC 61131-2

24 Vdc Battery Module

Dimensions

mm  
inch



ABL	a	b	c	G	H
8BPK24A03	184/7.24	138,5/5.45	131	156/6.14	83/3.27
8BPK24A07	170/6.69	155,5/6.12	131	152/5.98	100/3.94
8BPK24A12	238/9.29	155,5/6.12	131	218/3.94	100/3.94

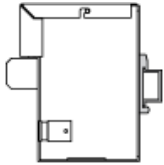
(1) ABL8BPK24A03 (with kit ABL1A02)

---

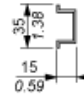
24 Vdc Battery Module

---

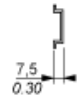
Mounting



AM1 DE200  
IEC/EN 60715



AM1 DP200



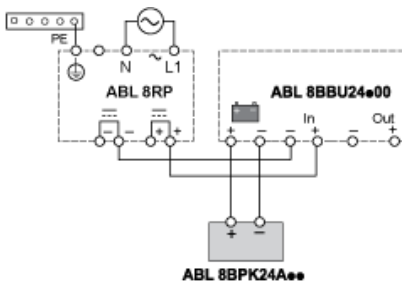
Wiring Requirements

Cable Types and Wire Sizes

<p>10  <math>\varnothing \leq 4 \text{ mm}^2</math>  <math>\varnothing \leq 12 \text{ AWG}</math></p> <p>17  <math>\varnothing &gt; 4 \text{ mm}^2</math>  <math>\varnothing &gt; 12 \text{ AWG}</math></p>	<p>ABL 8BBU24200</p>	<p>ABL 8BBU24400</p>
<p>ABL 8BPK24A00 - mm<sup>2</sup>/AWG</p>	<p>6 / 10</p>	<p>10 / 6</p>
<p><math>\varnothing 5,5 \text{ mm} / 0.22 \text{ in}</math></p>	<p></p>	<p>Nm 1,7 Nm max          lb-in 15</p>

24 Vdc Battery Module Wiring

Wiring Diagram



Paralleling 2 x ABL8PK24A00

Wiring Diagram

