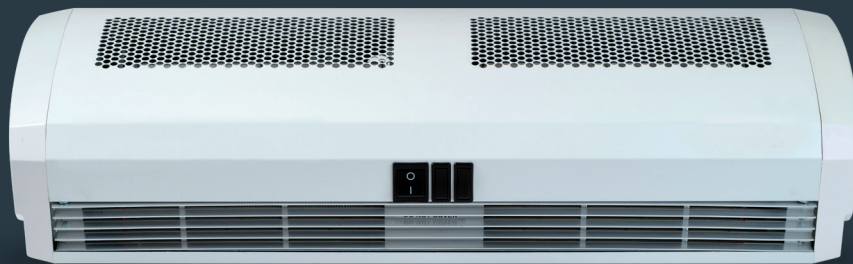


Jet Series.

The ideal solution for small spaces.



The Jet overdoor heater provides warmth and comfort to the surrounding area. This makes them an ideal solution for doorways that are not used that often and are normally kept closed.

Key features.



Electric

- Compact, space-saving design
- 1 year warranty
- RAL 9010 finish as standard
- Two heat settings
- Mounting height 2.3m
- Supplied complete with wall/ceiling mounting bracket
- IP21 rated

Sizes (Width) (Joining kits available)

600mm (3kw) and 800mm (4.5,6kw)

Mounting Height

Up to 2.3m

Colour

Standard RAL 9010 (White)

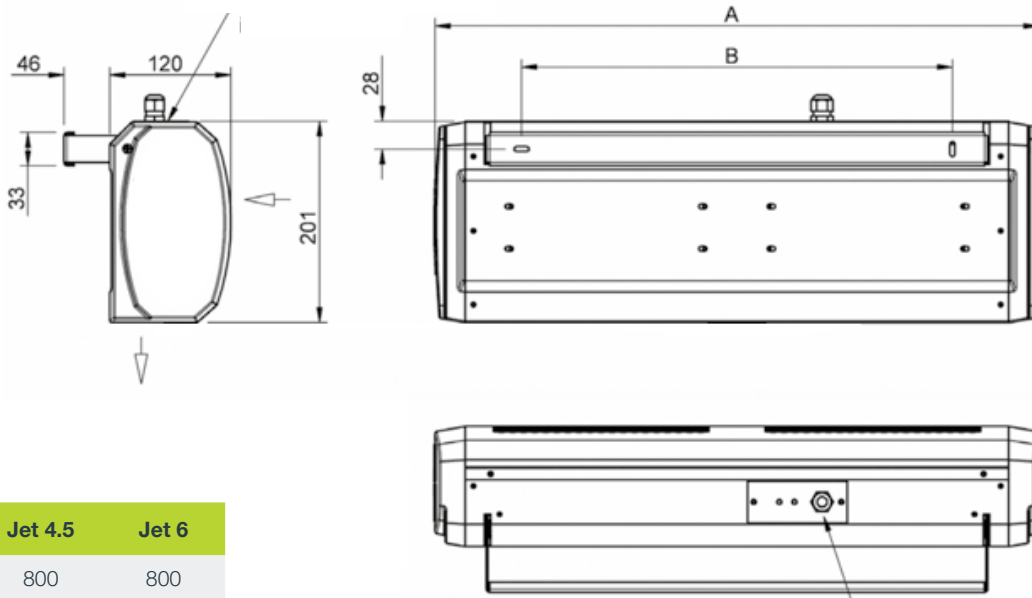
Warranty

1 year



Jet Series Surface Mounted							
Model	Dimensions (L x W x D) (mm)	Supply (50Hz)	Heat output (kW)	Max velocity (m/s)	Max air volume (m ³ /h)	Weight (kg)	Noise output dB(A) @3m
Jet 3	600x120x201	230V~1P&N	1.5/3.0	6.0	200	4.5	46.5
Jet 4.5	800x120x201	230V~1P&N	2.25/4.5	6.5	290	5.5	49.5
Jet 6	800x120x201	230V~1P&N	3.0/6.0	8.0	370	5.5	56.0

Electrical Supply Unit



Electrical Supply Unit

	Jet 3	Jet 4.5	Jet 6
A (mm)	600	800	800
B (mm)	425	625	625