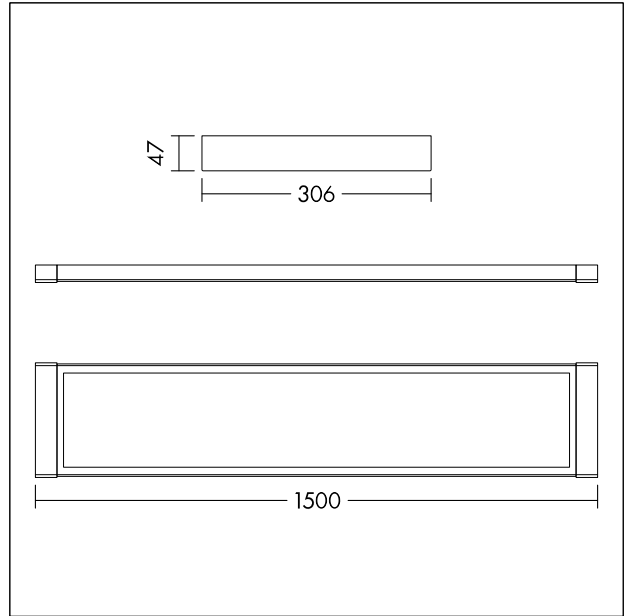


Surface mounted LED luminaire

Surface mounted LED luminaire for direct illumination with UGR<19. Gentle, soft and glare-free lighting for office and education applications with opal diffuser made of PS for fully homogenous illumination. Luminaire input power: 43 W. Lifetime: 50.000h L80, Chromaticity tolerance (initial MacAdam): 4. Total luminous flux: 5450 lm, Luminaire efficacy: 127 lm/W, Colour rendering Ra > 80, colour temperature 4000 K. Tool-free installation (piano key terminal for up to 2.5 mm² wires). Flicker free. Suitable for surface and suspension mounting. Sensor, emergency light conversion, continuous row connector and suspension kit available as accessory. Input power adjustable on site by 4 step (FLEX1: 5450 lm (43W), FLEX2: 5177 lm (41W), FLEX3: 4905 lm (39W), FLEX4: 4633 lm (37W)). For flex data on other colour temperatures please visit website. Dimensions: 1500 x 306 x 47 mm, weight: 4.3 kg.



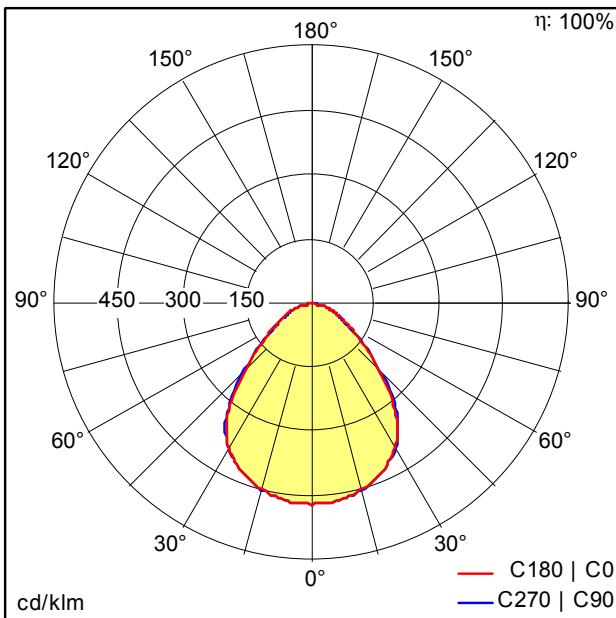
TE_ROXY_F_1500_SURF_Persp.jpg



TE_ROXY_M_1500.wmf

Light Distribution

STD - standard



TE_ROXY_1500_D_5500_840.idt

- Light Source: LED
- Luminaire luminous flux*: 5450 lm
- Luminaire efficacy*: 127 lm/W
- Colour Rendering Index min.: 80
- Ballast: 1 x 42189790 ROXY 1500 D 5500 840 FLEX
- Correlated colour temperature*: 4000 Kelvin
- Chromaticity tolerance (initial MacAdam): 4
- Rated median useful life*: L80 50000h at 25°C
- Luminaire input power*: 43 W Power factor = 0.92
- Dimming: Fixed output
- Wartungskategorie CIE 97: D - Enclosed IP2X
- Total harmonic distortion (THD): 20.00 %

This product contains a light source of energy efficiency class D.

All values marked with an * are rated values. Luminous flux and connected electrical load are subject to an initial tolerance of +/- 10%. Unless stated otherwise, the values apply to an ambient temperature of 25°C.