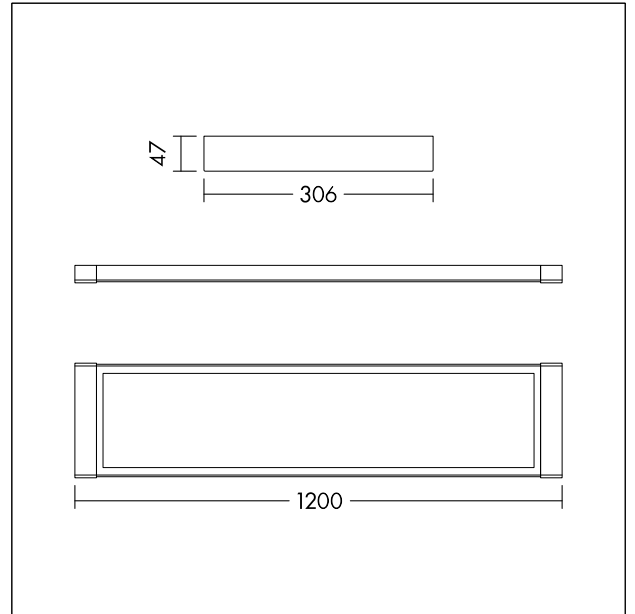


## Surface mounted LED luminaire

Surface mounted LED luminaire for asymmetric light distribution (direct only). Especially designed with PMMA lens and reflector for homogenous black- and whiteboard illumination. Luminaire input power: 16 W, Lifetime: 50.000h L80, Chromaticity tolerance (initial MacAdam): 4. Total luminous flux: 2000 lm, Luminaire efficacy: 125 lm/W, Colour rendering Ra > 80, colour temperature 4000 K. Tool-free installation (piano key terminal for up to 2.5 mm<sup>2</sup> wires). Flicker free. Suitable for surface, wall and suspension mounting. Wall brackets, continuous row connector and suspension kit available as accessory. Dimensions: 1200 x 306 x 47 mm, weight: 3.5 kg.



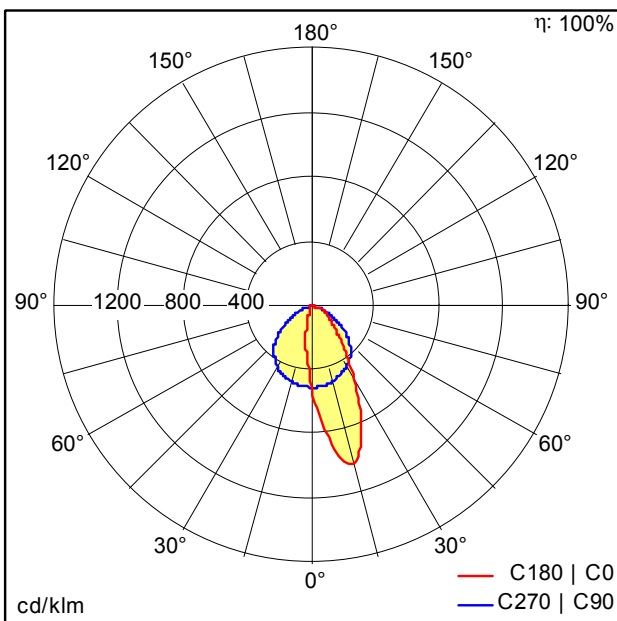
TE\_ROXY\_F\_1200\_ASYM\_Persp.jpg



TE\_ROXY\_M\_1200.wmf

## Light Distribution

## STD - standard



TE\_ROXY\_1200\_ASYM\_2000\_840.ltd

- Light Source: LED
- Luminaire luminous flux\*: 2000 lm
- Luminaire efficacy\*: 125 lm/W
- Colour Rendering Index min.: 80
- Correlated colour temperature\*: 4000 Kelvin
- Chromaticity tolerance (initial MacAdam): 4
- Rated median useful life\*: L80 50000h at 25°C
- Ballast: 1x LED\_Con
- Luminaire input power\*: 16 W Power factor = 0.92
- Dimming: Fixed output
- Wartungskategorie CIE 97: D - Enclosed IP2X
- Total harmonic distortion (THD): 20.00 %

This product contains a light source of energy efficiency class E.

All values marked with an \* are rated values. Luminous flux and connected electrical load are subject to an initial tolerance of +/- 10%. Unless stated otherwise, the values apply to an ambient temperature of 25°C.