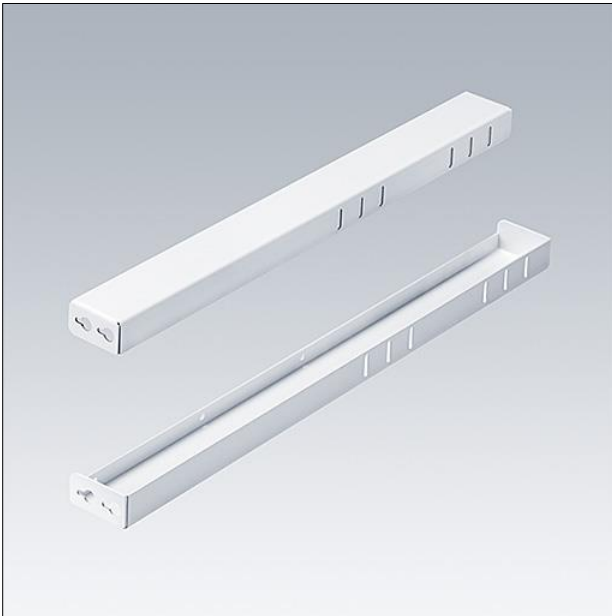
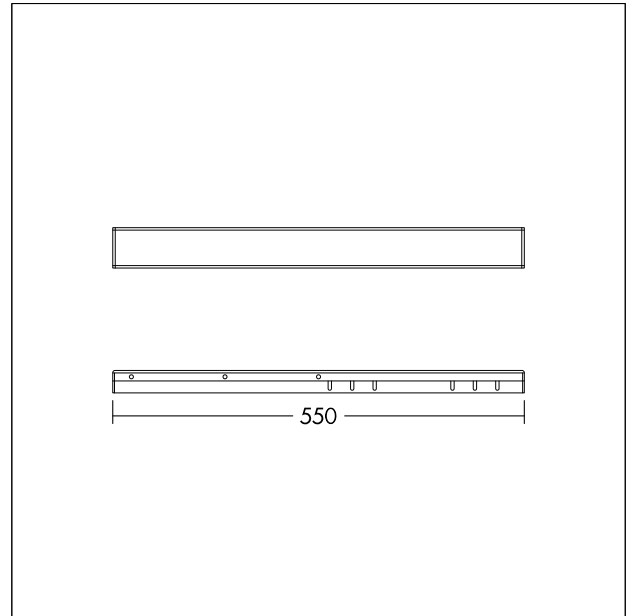


Wall brackets

Wall brackets for ROXY 1200 ASYM. Brackets offer possibility to adjust the luminaire in accordance to the application. Recommended mounting: center of board towards center of luminaire: distance of 400mm; upper side of board towards light emitting surface: distance of 200mm. Dimensions: 550 x 30 x 55 mm, weight: 0.4 kg.



TE_ROXY_F_Wall_Brackets.jpg



TE_ROXY_M_WALL_BRACKETS.wmf