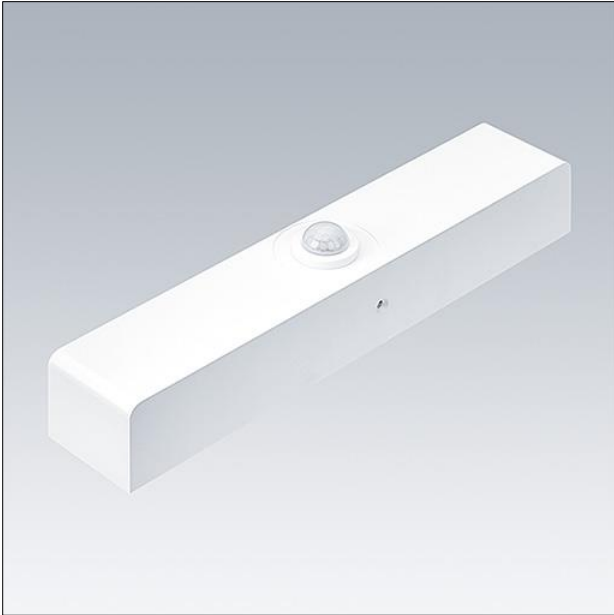
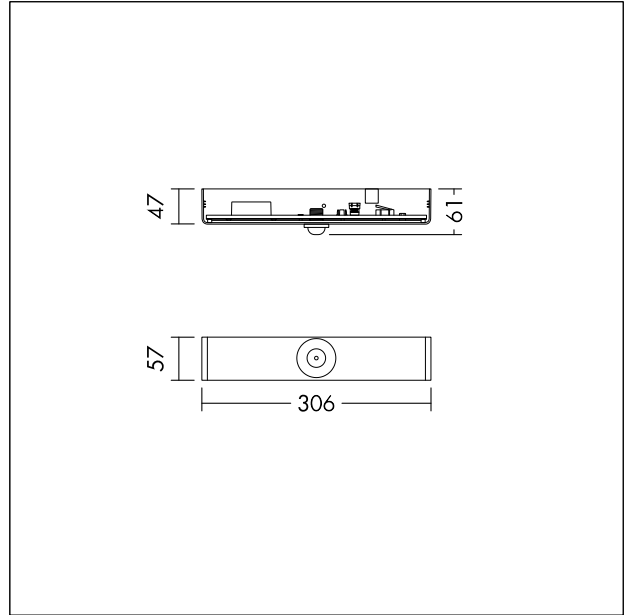


PIR Sensor, interchangeable module

Exchange Endcap with Plug & Play PIR Sensor. Master/Slave switching power: 500W. Compatible with ROXY D and ROXY D/I.  
 Product dimensions: 57 mm x 306 mm x 61mm, weight: 0.8 kg.



TE\_ROXY\_F\_Endcap\_Sensor.jpg



TE\_ROXY\_M\_PIR\_PLUG\_PLAY.wmf