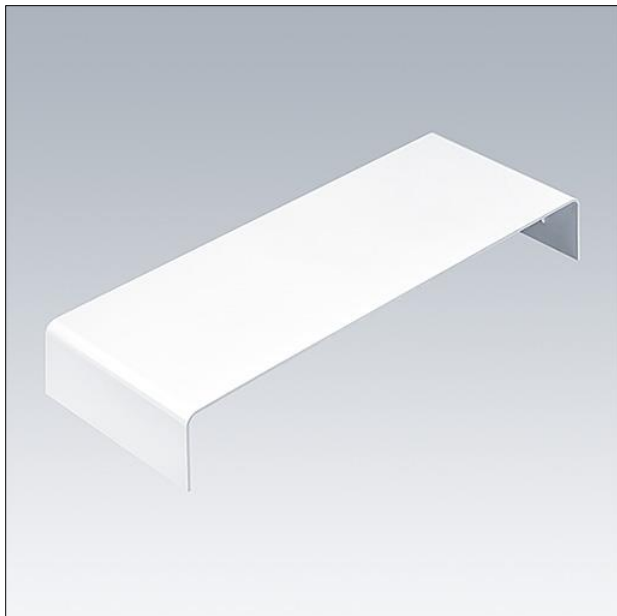
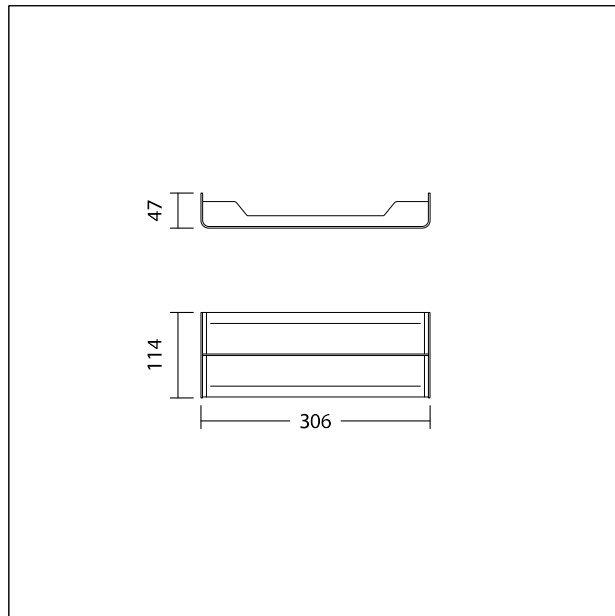


Continuous row connector

Exchange Endcap for continuous row application to mechanically connect luminaires. Product dimensions: 114 mm x 306 mm x 47 mm, weight: 0.3 kg.



TE_ROXY_F_Endcap_Connector_01.jpg



TE_ROXY_M_COUPLING.wmf