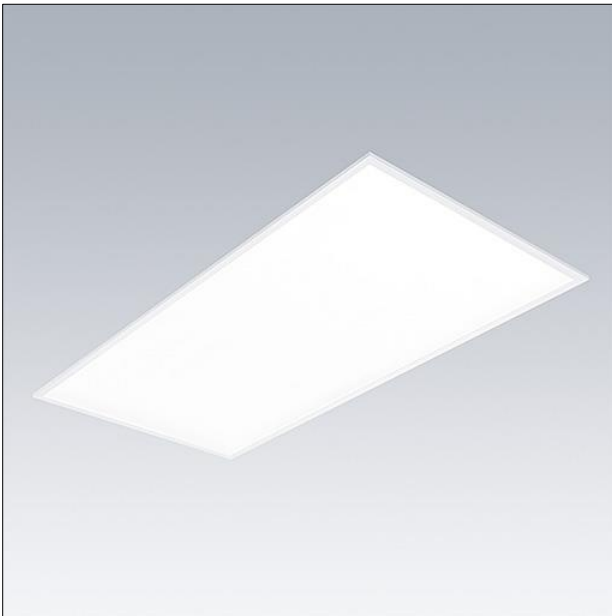
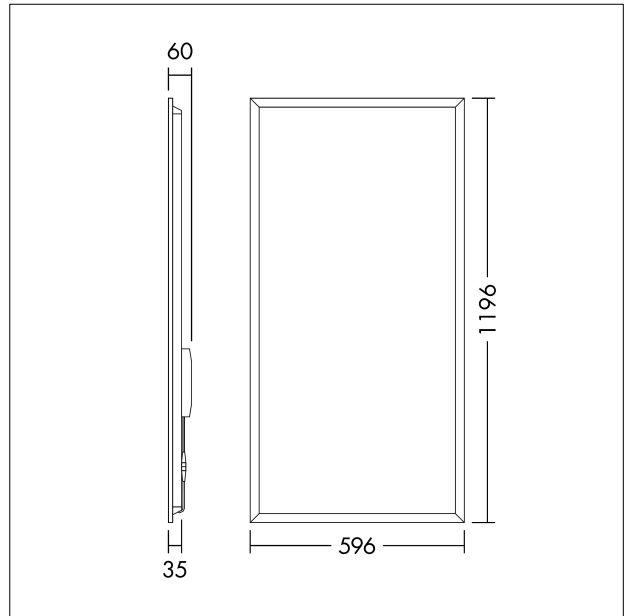


Recessed LED panel

LED Panel with micro-prismatic homogenous light emitting surface. Easy to adjust tuneable lumen output and colour temperature switch located on the luminaire. Gentle, soft and glare-free lighting with UGR <19 for schools and offices, with micro-prismatic diffuser for fully homogenous illumination, with aluminium frame. Total luminous flux: 6600 lm, Luminaire input power: 47 W, Luminaire efficacy: 140 lm/W, correlated colour temperature (CCT) adjustable via switch for 3000K, 3500K or 4000K. Lifetime: 50.000hrs @L80, Colour Rendering: CRI > 80, Chromaticity tolerance (initial MacAdam): 4. Provided with detachable quick connector for easy installation and tool-free loop-in loop-out wiring and safety wire, Flicker free, Suitable for lay-in installation. Available accessories: Plug&Play Emergency kit for 3 hour emergency conversion (Self or Manual test), surface and suspension mounting kit (Attention: 2 Suspension kits required). Lumen package adjustable on site by 4 steps FLEX@4000K: (FLEX1 - 6600 lm (47W), FLEX2 - 5600 lm (40W), FLEX3 - 4600 lm (32W), FLEX4 - 3600 lm (25W)). Detailed power setting information available on www.THORNeco.com. Dimensions: 1196 x 596 x 35 mm, weight: 4.01 kg.



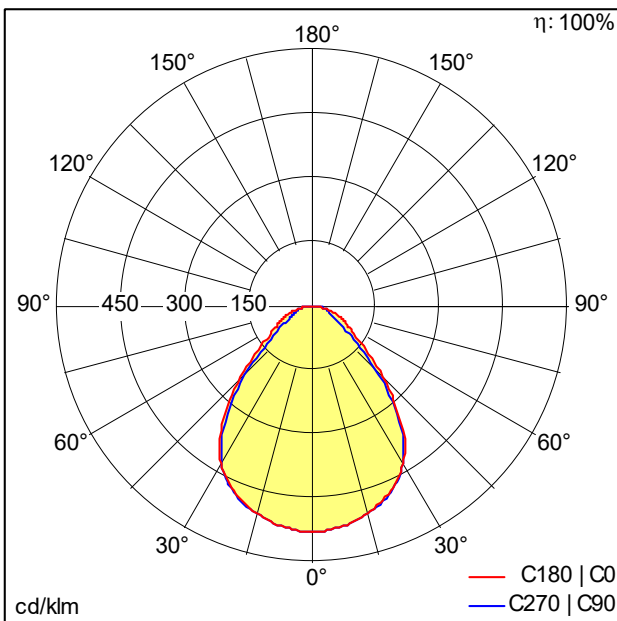
TE_ANNAVARIOFP_F_1200x600.jpg



TE_ANNA_M_1196x596.wmf

Light Distribution

STD - standard



TE_ANNA_VF3_12x6_6600_840_FLEX1.idt

- Light Source: LED
- Luminaire luminous flux*: 6600 lm
- Total emergency luminous flux: 490 lm
- Luminaire efficacy*: 140 lm/W
- Colour Rendering Index min.: 80
- Correlated colour temperature*: 3000-4000 Kelvin
- Chromaticity tolerance (initial MacAdam): 4
- Rated median useful life*: L80 50000 h at 25 °C
- Ballast: 1x LED_Con
- Luminaire input power*: 47 W Power factor = 0.9
- Dimming: STEPS dimmable to 55%
- Maintenance category CIE 97: D - Enclosed IP2X
- Total harmonic distortion (THD): 15.00 %

All values marked with an * are rated values. Connected electrical load and luminous flux are subject to an initial tolerance of +/- 10%, the most similar colour temperature is subject to an initial tolerance of +/- 150K. Unless stated otherwise, the values apply to an ambient temperature of 25°C.