

HPPP1G
HPPP1GBK
HPPP151G
HPPP1GS
HPPP1GSBK

See current catalogue for further detail

**SOCKETS
 ARE IP54
 RATED
 'ZONE 2'
 READY**

**DOES NOT REQUIRE
 A COVER! It comes
 standard as IP54!**

*No need for additional plastic
 socket flaps to achieve IP54
 "ZONE 2" for pools, wet areas
 and ponds; as per AS/NZS3000.*

Cleaning Guide:

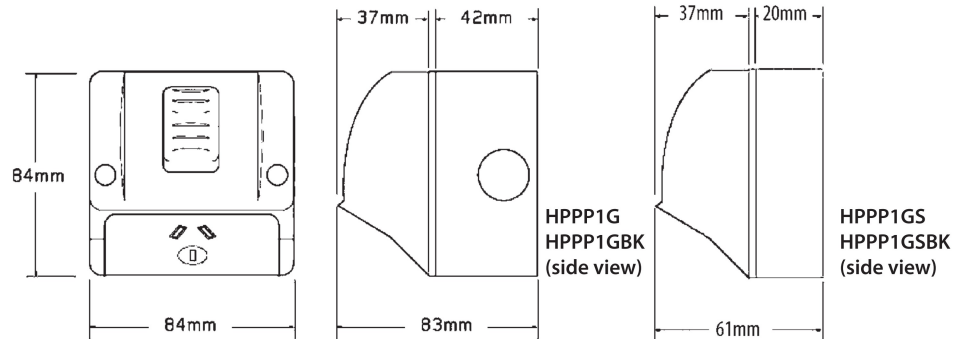
Spraying cleaning products on to electrical products is not recommended. It is important to ensure that switches are turned off before cleaning.

Do not use any cleaning sprays - only wipe down with damp cloth or rub with dry cloth. (Do not use an abrasive cloth as it may scratch the plastic).

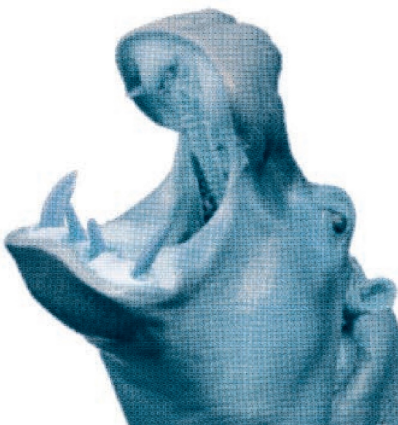
Do not use harsh chemical cleaners as these can break down the plastic and cause it to crack.

Hippo Range of Single Power Points Standard and Shallow Base Options

- 10A 250V~ rated modular weatherproof sockets.
- The Hippo product including sliding dollies, is made from UV Stabilised Polycarbonate to avoid discolouring.
- IP54 rated ideal for prevention against water splashes or harmful objects that may compromise conventional socket outlets.
- Perfect for use in exterior applications, or damp/dusty environments - building exteriors, carports, gardens or workshops.
- Styling matches the rest of the Trader Hippo family of products.
- Colour: Grey – HPPP1G & HPPP1GS is available in Black – please check availability.



Catalogue Number	Description
HPPP1G	Single Outdoor Power Point IP54 10A
HPPP1GBK	Single Outdoor Power Point IP54 10A 250V~, Black
HPPP151G	Single Outdoor Power Point IP54 15A
HPPP1GS	Single Outdoor Power Point IP54 10A Shallow
HPPP1GSBK	Single Outdoor Power Point IP54 10A, Shallow, Black



Certification Number:
 GMA-508772-EA

GSM Electrical (Australia) Pty Ltd
 Level 2, 142-144 Fullarton Road, Rose Park SA 5067
 P: 1300 301 838 F: 1300 301 778 E: service@gsme.com.au
www.gsme.com.au

