

OWPIR360 OWPIR360BK



Cleaning Guide:

Spraying cleaning products on to electrical products is not recommended. It is important to ensure that switches are turned off before cleaning. Do not use any cleaning sprays - only wipe down with damp cloth or rub with dry cloth. (Do not use an abrasive cloth as it may scratch the plastic). Do not use harsh chemical cleaners as these can break down the plastic and cause it to crack.

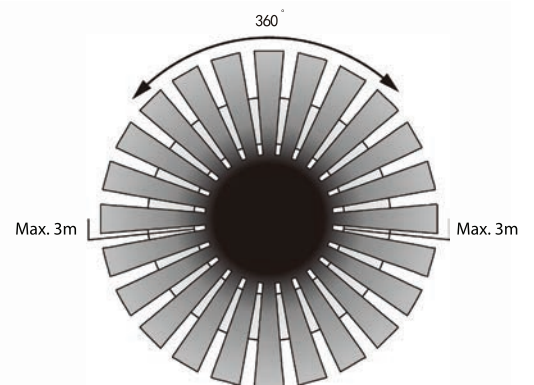
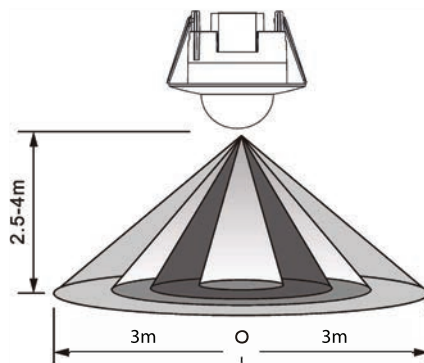


Arctic Owl Infrared Motion Sensor Indoor 360°

- Sensor uses Passive Infrared Technology.
- Manual override.
- 360 degree detection with range of 3m radius at a height of 2.4m - 4m.
- "ON" time between 10 seconds and 7 minutes - between sensing trigger.
- Suitable for loop in / loop out applications in ceilings.
- Easy mounting and adjustment.
- Parallel connections with multiple fittings.
- Rated Load: 2000W Max and 1000W for fluoro energy saving lamps.
- 63mm cut out.
- Colours available: White or Black.
- Depth into ceiling 32mm.

Specifications

Detection Range:	360°
Detection Distance:	3m max (<24°C)
Time-Delay / 'Switch On' Duration:	Min. 10sec±3sec Max. 7min±2min
Installing Height:	2.2m - 4m
Power Consumption:	<0.9W
Power Sourcing:	220V/AC-240V/AC
Power Frequency:	50/60Hz
Working Temperature:	-20 > +40°C
Ambient Light:	<5-2000LUX (Adjustable)
Rated Load:	2000W (incandescent lamp) 1000W (energy-saving lamp)
Working Humidity:	<93%RH
Detection Motion Speed:	0.6 - 1.5m/s



Catalogue Number	Description
OWPIR360	Infrared Motion Sensor, Indoor 360°
OWPIR360BK	Infrared Motion Sensor, Indoor 360°, Black

Certification Number:
GMA-508473

GSM Electrical (Australia) Pty Ltd
Level 2, 142-144 Fullarton Road, Rose Park SA 5067
P: 1300 301 838 F: 1300 301 778 E: service@gsme.com.au
www.gsme.com.au



Data Specification Sheet
February 2021