

**SNPP2GWW
SNPP152GWW
SNPPSW2GWW**

Also available in:
Black cover, Black grid
White cover, Silver grid
Black cover, Silver grid
See order code details
in notes below table

Cleaning Guide:

Spraying cleaning products directly on to electrical switches or power points (sockets) is not recommended.

It is important to ensure that switches are turned off before cleaning.

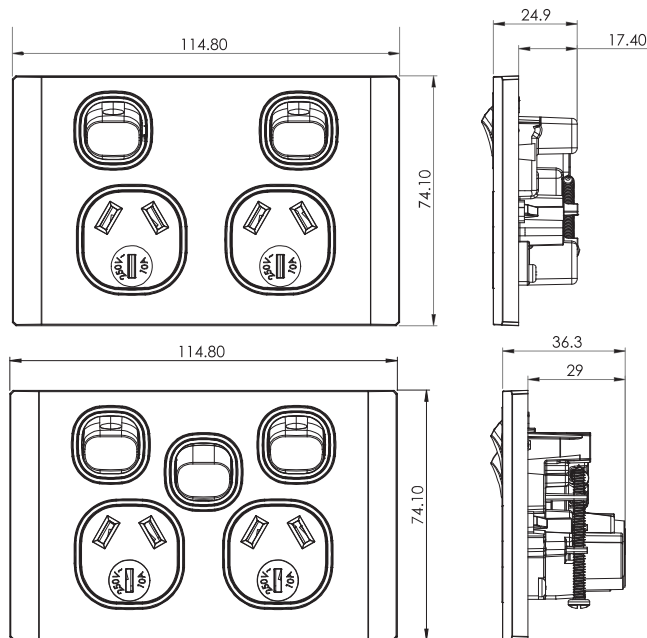
Do not use any cleaning sprays - only wipe down with damp cloth or rub with dry cloth. Do not use an abrasive cloth as it may scratch the plastic.

Do not use harsh chemical cleaners as these can break down the plastic and cause it to crack.

Do not wash the cover plates in water over 60°C.

Snow Leopard Range of Double Power Points

- Socket outlets approved to AS/NZS3112.
- Fits standard Australian wall boxes and mounting accessories that use 84mm mounting centres
- Uses brass tunnel terminals that have the screws backed out for easier installation of cabling. Power point terminals have 6mm bore to suit 4 x 2.5mm² cable. Switch terminals have 4.1mm suit 4 x 1.5mm²
- Combination head screws for the socket terminals
- Uses 'Cat Flap' screw covers for IP rating mounting screws
- Dolly indicator colour green
- Covers, plates and dollies are made from UV stabilised polycarbonate to avoid discolouring to yellow
- Standard colour is white. Available in Black, White/Silver and Black/Silver - Please check availability.
- Typical example of size seen below:



Catalogue Number	Description
SNPP2GWW	Power Point Switched 2 Gang, 10A 250V~, White Cover, White Grid
SNPP152GWW	Power Point Switched 2 Gang, 15A 250V~, White Cover, White Grid
SNPPSW2GWW	Power Point Switched 2 Gang, 10A 250V~ with Removable Extra Switch 16AX/20A, White Cover, White Grid

ORDERING NOTES:

When ordering **BLACK/BLACK** product replace "WW" with "BB" at end of catalogue number, ie SNPP2GBB
 When ordering **BLACK/SILVER** product replace "WW" with "BS" at end of catalogue number, ie SNPP2GBS
 When ordering **WHITE/SILVER** product replace "WW" with "WS" at end of catalogue number, ie SNPP2GWS



MEERKAT Switch Mechanisms are used for all switch plates.
Please refer to **MEERKAT Mech Matrix** for full range.

Certification Number:
GMA-500348-EA / GMA-500349-EA

GSM Electrical (Australia) Pty Ltd
Level 2, 142-144 Fullarton Road, Rose Park SA 5067
P: 1300 301 838 F: 1300 301 778 E: service@gsm.com.au
www.gsm.com.au



Data Specification Sheet
February 2020

