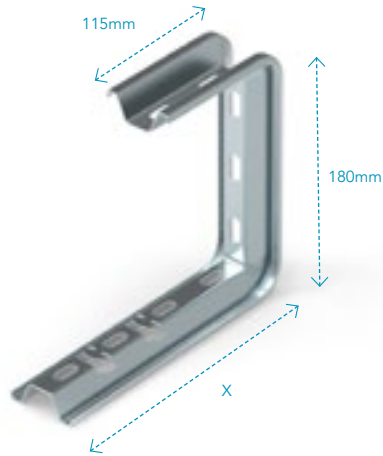


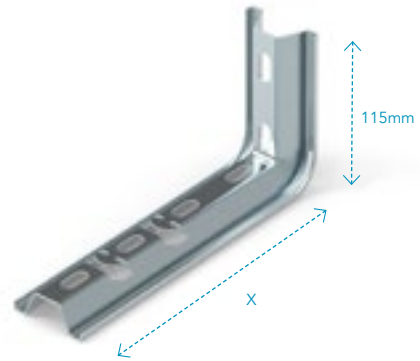
Ceiling Support Bracket



Part Code	Length mm (X)	Pack Qty	Weight /Unit
SOPC10SZ	215	16	0.517
SOPC15SZ	265	12	0.550
SOPC20SZ	315	8	0.623
SOPC30SZ	415	8	0.714

For fixing to horizontal concrete ceiling and walls. Finished in Pre-Galv. Stainless Steel and Hot Dip Galvanised are also available.

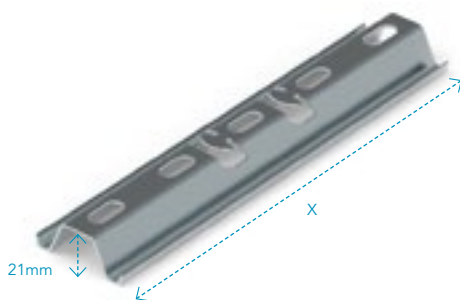
Wall Support Bracket



Part Code	Length mm (X)	Pack Qty	Weight /Unit
SOC10SZ	100	10	0.342
SOC15SZ	150	10	0.395
SOC20SZ	200	10	0.447
SOC30SZ	300	10	0.554
SOC40SZ	400	10	0.660

For fixing to walls, use in tandem with Support spacer. Finished in Pre-Galv. Stainless Steel and Hot Dip Galvanised are also available.

Suspension Support Bracket



Part Code	Length mm (X)	Pack Qty	Weight / Unit
SOA10SZ	100	10	0.211
SOA15SZ	150	10	0.251
SOA20SZ	200	10	0.386
SOA30SZ	300	10	0.496
SOA40SZ	400	10	0.632
SOA50SZ	500	10	0.713
SOA60SZ	600	10	0.822

Suspension bracket with Clic connection. Finished in Pre-Galv. Stainless Steel and Hot Dip Galvanised are also available.

EASY BRACKETS

Mount Ceiling, Wall & Suspension Brackets with just a CLIC

SECURE & FAST

SIMPLY FOLD DOWN TABS TO SECURE

QuickFix Trunking

QuickFix Multi Compartment Trunking

Lighting Trunking

Uniklip Cable Tray

Speedway Cable Ladder Pre-Galv. Cable Ladder

Cable Basket Systems

Channel & Support

Floor Trunking

Bench Outlet & Perimeter Trunking

Steel Conduit (Class 4)

Innovative Design Solutions

Accessories & Supports

Index