

# Electronic Fan Speed Controller with TK

- Wide power supply range (110–240 VAC/50–60 Hz)
- Automatic supply voltage detection
- Adjustable stepless output voltage
- 230 VAC alarm output
- TK monitoring for thermal motor protection
- Contacts for remote on/off switching
- Adjustable minimum and maximum speed limits
- Overheating motor protection
- Kick start (default) or soft start
- Illuminated on/off switch
- Run and fault detection LED indication



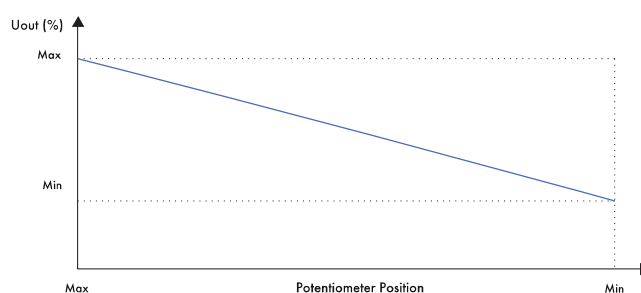
The SC5000TK range of electronic speed controllers regulate the speed of single-phase (110–240 VAC/50–60 Hz) voltage controllable motors by varying the supplied voltage. These controllers offer automatic power supply detection, thermal contacts (TK) for motor overheating protection, an alarm output, NO (open contact) and NC (closed contact) inputs for remote start/stop. The minimum and maximum speed limits are internally adjusted via trimmers. The range features an unregulated auxiliary output for connecting a dampers etc. There are two start-up modes - kick start and soft start, selectable via a jumper.

## Technical

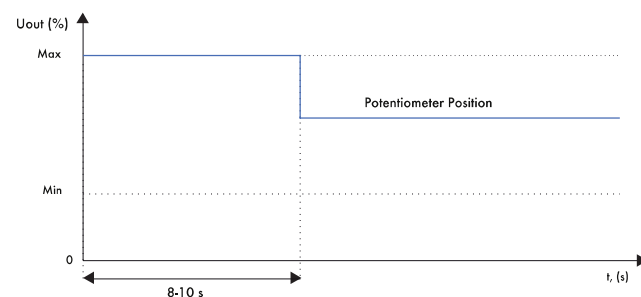
Power supply, Us	110–240 VAC / 50–60 Hz	
Regulated output	MIN–MAX (Umin–Umax)	
Unregulated output	230 VAC / Imax. 2 A	
Minimum output	30–60 % of Us	
Maximum output	70–100 % of Us	
Alarm output	Imax. 0.5 A	
Kick start duration	8–10 s	
Protection	Motor overheating	
Protection standard	IP54 (according to EN 60529)	
Ambient conditions	Temperature	-20–35 °C
	Rel. humidity	5–95 % rH (non-condensing)
Maximum load	SC5030TK	Rated max. current, (A) 3.0
	SC5050TK	Rated max. current, (A) 5.0
	SC5060TK	Rated max. current, (A) 6.0
	SC5010TK	Rated max. current, (A) 10.0

## Operation Diagrams

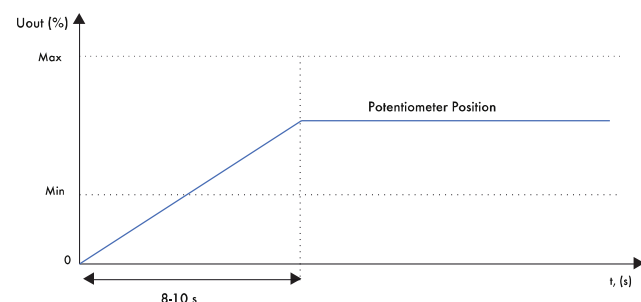
### Control Curve



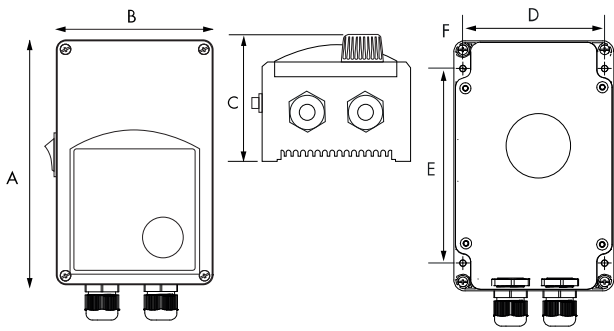
### Kick Start Mode



### Soft Start Mode



## Dimensions



Stock Ref	A	B	C	D	E	ØF
SC5030TK	162	96	75	71	108.8	4.2
SC5050TK	162	96	93	71	108.8	4.2
SC5060TK	205	124	97	102	140	4.6
SC5010TK	205	124	97	102	140	4.6

### SC5030TK



① Kick start selection jumper		Kick start is enabled
		Soft start is enabled
② Minimum speed trimmer		Minimum speed limit pre set to 45%
③ Maximum speed trimmer		Maximum speed limit preset to 100%

### SC5050TK, SC5060TK & SC5010TK



① Kick start selection jumper		Kick start is enabled
		Soft start is enabled
② Minimum speed trimmer		Minimum speed limit pre set to 45%
③ Maximum speed trimmer		Maximum speed limit pre set to 100%