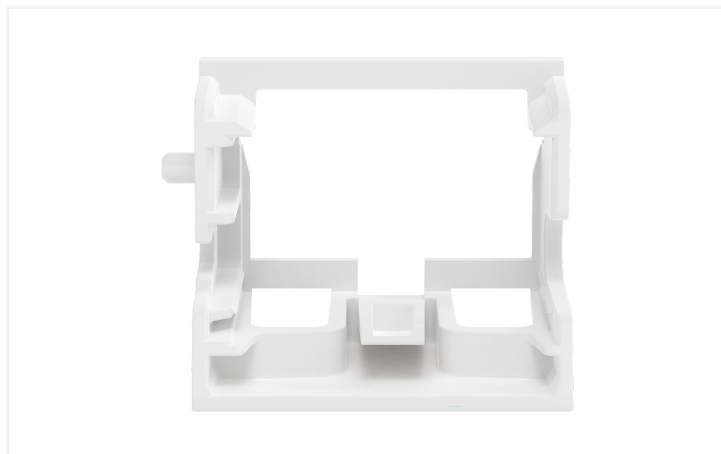


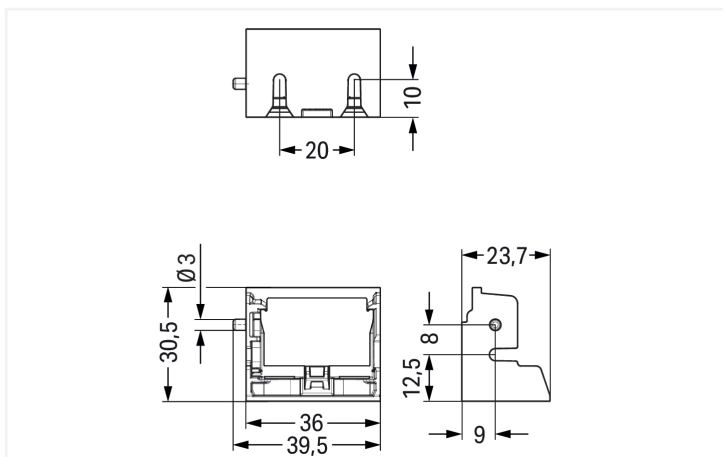
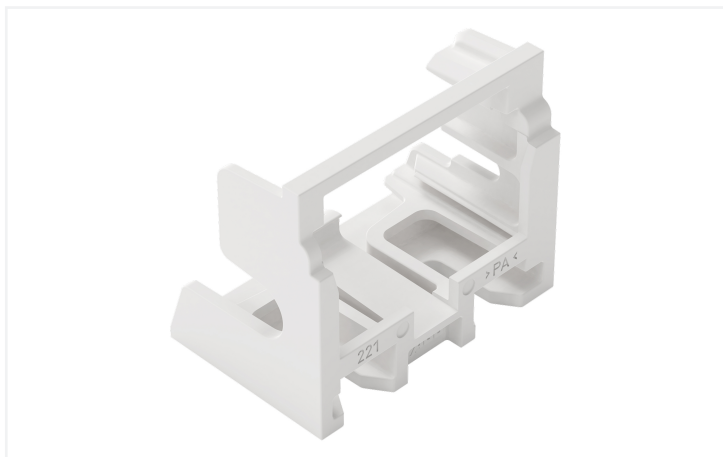
Data Sheet | Item Number: 221-519/002-000

Mounting carrier; for 10-wire connectors; 221 Series - 4 mm<sup>2</sup>; for side screw mounting; white

<https://www.wago.com/221-519/002-000>



Color: ■ white



### Physical data

Width	39.5 mm / 1.555 inches
Height	30.5 mm / 1.201 inches
Depth	23.7 mm / 0.933 inches

### Mechanical data

Mounting type	Screw mount
Suitable	for 10-wire connectors (4 mm <sup>2</sup> )

### Material data

Note (material data)	<a href="#">Information on material specifications can be found here</a>
Color	white
Material group	I
Insulation material (main housing)	Polyamide (PA66)
Flammability class per UL94	V0
Fire load	0.145 MJ
Weight	4.8 g

### Commercial data

PU (SPU)	10 pcs
Packaging type	Box
Country of origin	CN
GTIN	4066966603132
Customs tariff number	39269097900

### Product Classification

ETIM 9.0	EC002848
ECCN	NO US CLASSIFICATION

### Environmental Product Compliance

RoHS Compliance Status	Compliant, No Exemption
------------------------	-------------------------

### Downloads

#### Environmental Product Compliance

##### Compliance Search

Environmental Product  
Compliance  
221-519/002-000



## 1 Compatible Products

### 1.1 Optional Accessories

#### 1.1.1 Marking

##### 1.1.1.1 Marking strip



**Item No.: 210-833**

Marking strips; 25 m on roll; 6 mm wide;  
plain; Self-adhesive; white